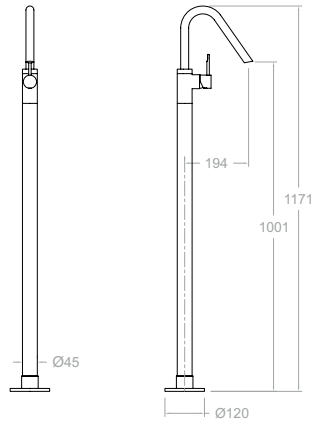


Renove
Renove

ODISEA
ODISEA JOYA
ADAGIO
URBAN CHIC
ALEXIA
TZAR
AROLA
KUATRO
KUATRO NK
DRAKO
GAUDÍ
NEW FLY
YPSILON PLUS
TITANIUM
BLAUTHERM
HIDROTERAPIA
WC
RS-Q
SOLESTOP



397602S

39A307485

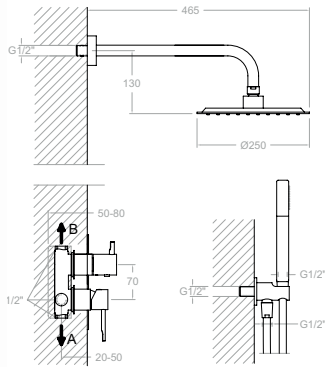
397602SNM

39A307486

397602SOC

39A307487

Odisea, columna monomando de lavabo.
Odisea, washbasin column.



K3915121

39D307505

K3915121NM

39D307506

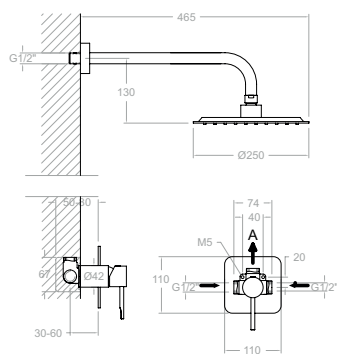
K3915121OC

39D307507

K3915121CUC

39D307508

Odisea, conjunto de monomando de ducha empotrado 2 vías con rociador metálico 250mm.
Odisea, single lever concealed shower mixer set, 2 ways with metallic headshower 250 mm.



K3918012

39D307500

K3918012NM

39D307502

K3918012OC

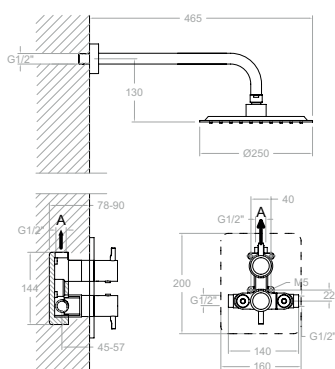
39D307503

K3918012CUC

39D307504

Odisea, conjunto de monomando de ducha empotrado 1 via con rociador metálico 250mm.
Odisea, single lever concealed shower mixer set, 1 way with metallic headshower 250 mm.





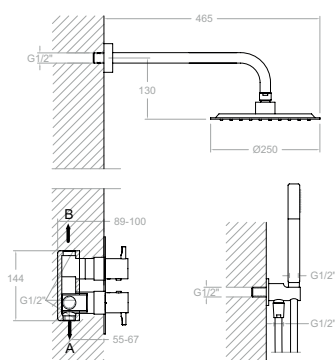
K3924022
39D307601

K3924022NM
39D307602

K3924022OC
39D307603

K3924022CUC
39D307604

Odisea, conjunto termostático de ducha empotrado 1 vía con rociador metálico 250mm.
Odisea, thermostatic concealed shower set 1 way with metallic headshower 250 mm.



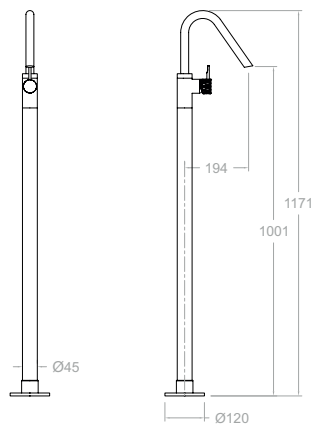
K3987021
39D307605

K3987021NM
39D307606

K3987021OC
39D307607

K3987021CUC
39D307608

Odisea, conjunto termostático de ducha empotrado 2 vías con rociador metálico 250mm.
Odisea, thermostatic concealed shower set 2 ways with metallic headshower 250 mm.

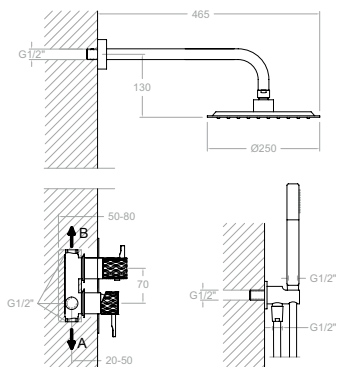


597602S
59A307694

597602SOC
59A307695

Odisea Joya, monomando de lavabo base-columna.
Odisea Joya, base-column washbasin single-lever mixer.





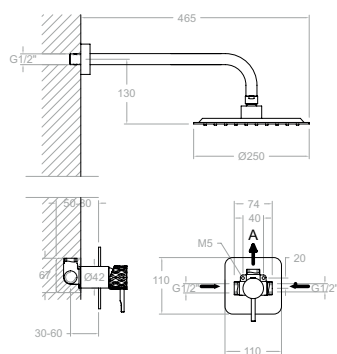
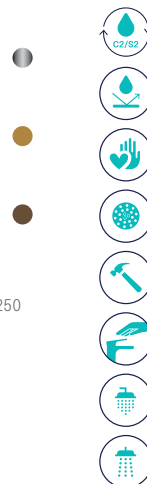
K5915121
59D307707

K5915121OC
59D307708

K5915121CUC
59D307709

Odisea Joya, conjunto monomando empotrado 2 vías con rociador metálico de Ø 250 mm.

Odisea Joya, 2-way recessed single-lever mixer set with Ø 250 mm metal showerhead.



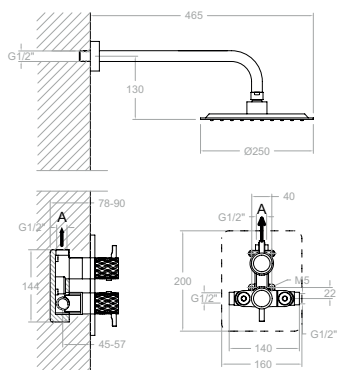
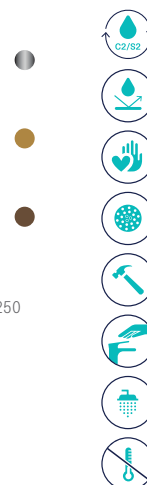
K5918012
59D307704

K5918012OC
59D307705

K5918012CUC
59D307706

Odisea Joya, conjunto monomando empotrado 1 vía con rociador metálico de Ø 250 mm.

Odisea Joya, 1-way recessed single-lever mixer set with Ø 250 mm metal showerhead.



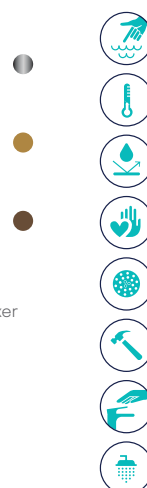
K5924022
59D307728

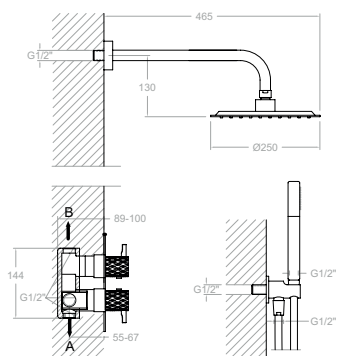
K5924022OC
59D307729

K5924022CUC
59D307730

Odisea Joya, conjunto termostático empotrado 1 vía con rociador metálico de Ø 250 mm.

Odisea Joya, 1-way recessed single-lever thermostatic mixer set with Ø 250 mm metal showerhead.





K5987021

59D307731

K59870210C

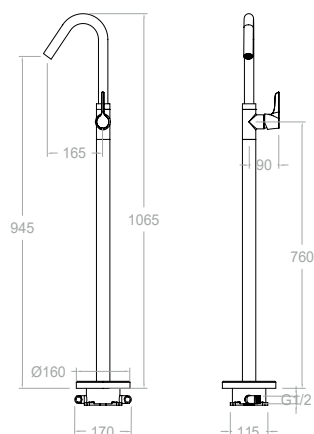
59D307732

K5987021CUC

59D307733

Odisea Joya, conjunto termostático empotrado 2 vías con ducha de mano y rociador metálico de Ø 250 mm.

Odisea Joya, 2-way recessed thermostatic mixer set with handheld shower and Ø 250 mm metal showerhead.



917602

91A306102

917602NM

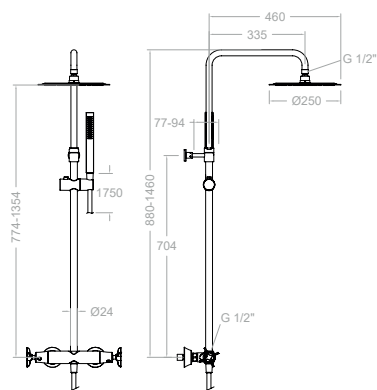
91A306119

917602OC

91A306136

Adagio, monomando lavabo de columna.

Adagio, column basin single-lever mixer.



915401RM250

91D306317

911202S+DN130D+RM250+3713M+2471C

915401RM250NM

91D306318

911202SNM+DN130DNM+RM250NM+3714NM+2475CNM

915401RM250OC

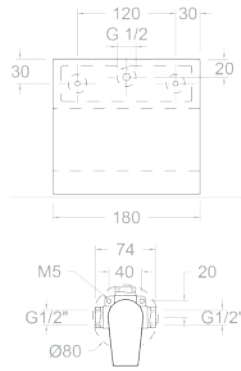
91D306319

911202SOC+DN130DOC+RM250OC+3714OC+2475COC

Adagio, columna telescópica termostática.

Adagio, thermostatic telescopic column.





211691

21A302402

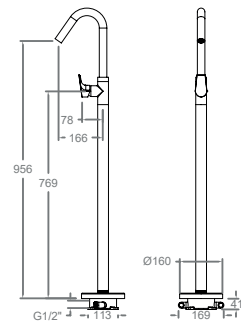
XX1801+RB21H+169+2100N-35

Urban Chic, monomando de lavabo empotrado mural con caño cascada extraplano S2.

Urban Chic, wall-mounted built-in basin mixer with extra flat waterfall spout S2.



Cartucho Cartridge: 252204



217602S

21A303370

217602SNM

21A305228

217602SNC

21A305227

217602SOC

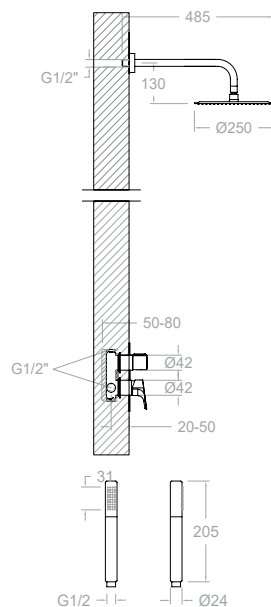
21A305229

Urban Chic, monomando lavabo de columna.

Urban Chic, single-lever basin column mixer.



Cartucho Cartridge: AAZ305771



K2115021

21D302879

211502S+BHRM250+3713M+3796+2472C

K2115021NM

21C303703

211502SNM+BHRM250NM+4716MRNM+4798NM+2475CNC

K2115021NC

21C303711

211502SNC+BHRM250NC+4716MRNC+4798NC+2475CNC

K2115021OC

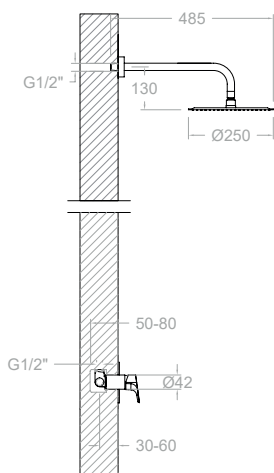
21C303707

211502SOC+BHRM250OC+4716MROC+4798OC+2475C

Urban Chic, conjunto monomando empotrado metálico 2 vías con soporte, toma de agua, teleducha y rociador metálico mural Ø250mm.

Urban Chic, metallic built-in single-lever mixer set 2 ways with bracket, water inlet, hand shower, and metallic wall-mounted shower head Ø250mm.





K2118012

21D302877
211801S+BHRM250

K2118012NM

21D303702
211801SNM+BHRM250NM

K2118012NC

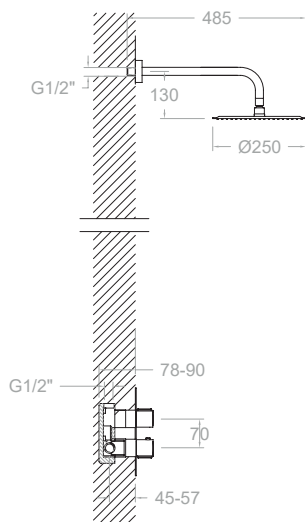
21D303710
211801SNC+BHRM250NC

K2118012OC

21D303706
211801SOC+BHRM250OC

Urban Chic, conjunto monomando empotrado metálico 1 vía con rociador metálico Ø250mm.

Urban Chic, metallic built-in single-lever mixer set 1 way with metallic shower head Ø250mm.



K2124012

21D302752
212411S+BHRM250

K2124012NM

21D305237
212411SNM+BHRM250NM

K2124012NC

21D305236
212411SNC+BHRM250NC

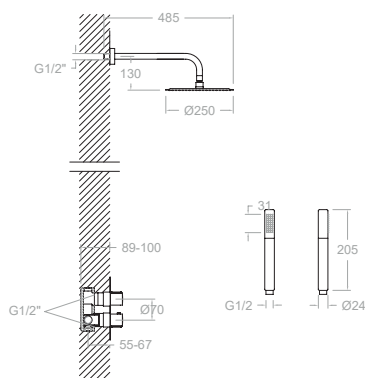
K2124012OC

21D305238
212411SOC+BHRM250OC

Urban Chic, conjunto termostático empotrado metálico 1 vía con rociador metálico Ø250mm.

Urban Chic, metallic built-in thermostatic mixer set 1 way with metallic shower head Ø250mm.

Cartucho Cartridge: AAZ302240
Montura Mount: AAZ302978



K2187011

21D302757
218712S+BHRM250+3713M+3796+2472C

K2187011NM

21D305240
218712SNM+BHRM250NM+4716MRNM+4798NM+2475CNC

K2187011NC

21D305239
218712SNC+BHRM250NC+4716MRNC+4798NC+2475CNC

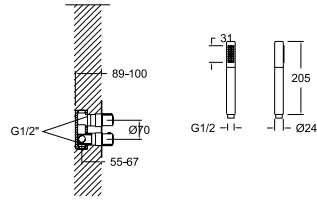
K2187011OC

21D305241
218712SOC+BHRM250OC+4716MROC+4798OC+2475COC

Urban Chic, conjunto termostático empotrado metálico 2 vías con soporte, toma de agua, teleducha y rociador metálico Ø250mm.

Urban Chic, metallic built-in thermostatic mixer set 2 ways with bracket, water inlet, hand shower, and metallic shower head Ø250mm.





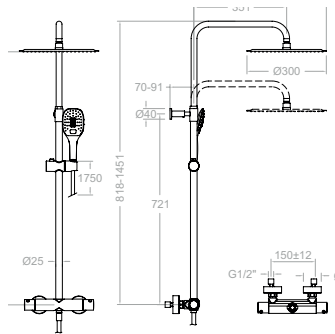
SK2187011NC

21D305396

218712SNC+3714NC+3796NC+2475CNC

Urban Chic, conjunto termostático empotrado metálico 2 vías con soporte, toma de agua y teleducha.

Urban Chic, metallic built-in thermostatic mixer set 2 ways with bracket, water inlet, and hand shower.



215411RM300

21D308549

211201S+DN132D+RM300+4913K3+2472C

215411RM300NM

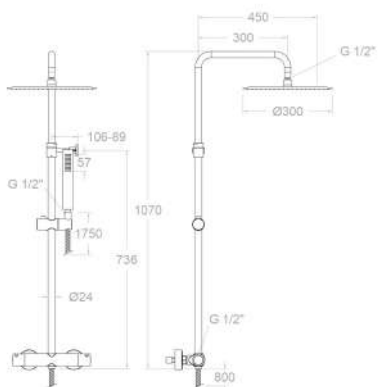
21D308636

211201SNC+DN132DNM+RM300NM+3714NM+2475CNC

Urban Chic, columna telescópica termostática con rociador metálico.

Urban Chic, thermostatic telescopic column with metallic showerhead.





215401RM300NC

21D305223

211201SNC+DN130DNC+RM300NC+3714NC+2475CNC



215401RM300OC

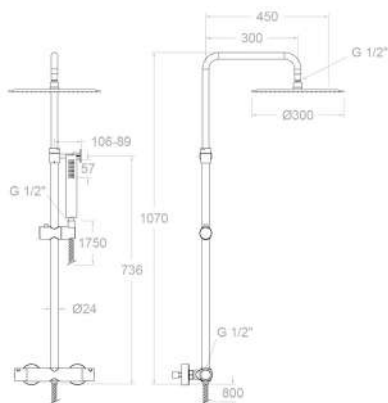
21D305226

211201SOC+DN130DOC+RM300OC+3714OC+2475COC



Urban Chic, columna telescópica termostática con rociador metálico.

Urban Chic, thermostatic telescopic column with metallic showerhead.



215401RK300N

21D302428

211201S+DN130D+RK300N+4913K3+2472C



215401RK300NM

21D305221

211201SNM+DN130DNM+RK300NM+4716MRNM+2475CNM



215401RK300NC

21D305220

211201SNC+DN130DNC+RK300NC+4716MRNC+2475CNC



215401RK300OC

21D305222

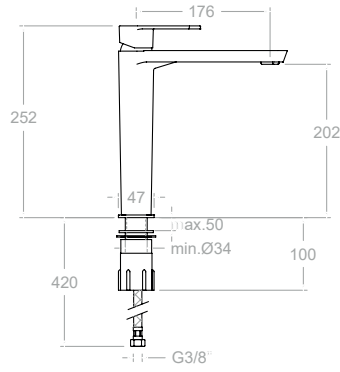
211201SOC+DN130DOC+RK300OC+4716MROC+2475COC



Urban Chic, columna telescópica termostática con inversor integrado con rociador cuadrado metálico 300mm.

Urban Chic, telescopic thermostatic column with integrated diverter and metallic square 300mm showerhead.





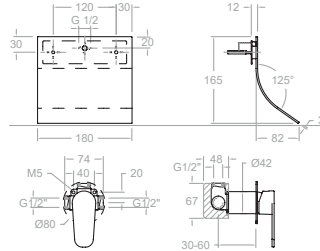
3610
36A300353

3610NM
36A300620

Alexia, monomando de lavabo L.
Alexia, washbasin mixer L.



Cartucho Cartridge: AAZ300855



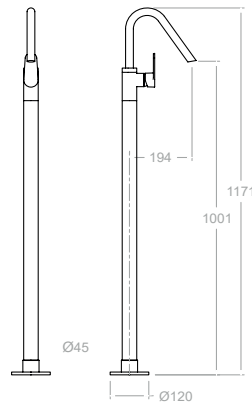
36169
36A300912

XX1801+RB21H+169+3600N-35

Alexia, monomando de lavabo empotrado mural con caño cascada extraplano.
Alexia, wall washbasin mixer with ultraslim cascade spout.



Cartucho Cartridge: 252204



367602S
36A303368

367602SNM
36A303582

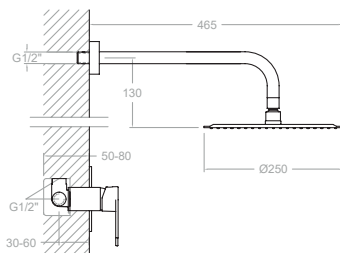
367602SNC
36A303608

367602SOC
36A303862

Alexia, monomando de columna para lavabo.
Alexia, washbasin column.



Cartucho Cartridge: AAZ305771



K3618012

36D301352
361801S+BHRM250

K3618012NM

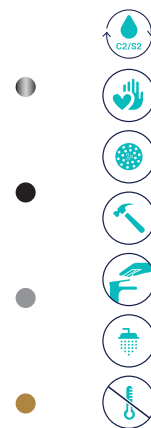
36D302887
361801SNM+BHRM250NM

K3618012NC

36D302889
361801SNC+BHRM250NC

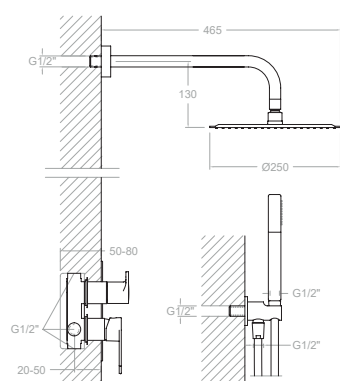
K3618012OC

36D302888
361801SOC+BHRM250OC



Alexia, conjunto monomando empotrado 1 vía con rociador metálico Ø250mm.

Alexia, shower set with concealed single lever 1 way mixer, water outlet, handshower, metallic headshower Ø250m.



K3615021

36C301354
361502S+BHRM250+3713M+3796+2472C

K3615021NM

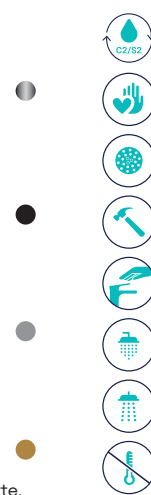
36D302893
361502SNM+BHRM250NM+3714NM+3796NM+2475CNM

K3615021NC

36D302895
361502SNC+BHRM250NC+3714NC+3796NC+2475CNC

K3615021OC

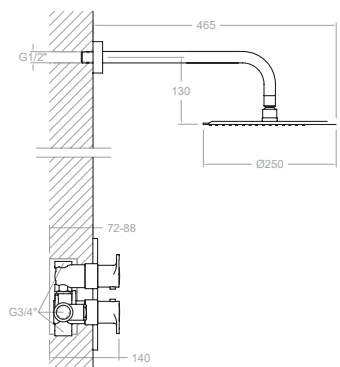
36D302894
361502SOC+BHRM250OC+3714OC+3796OC+2475COC



Alexia, conjunto monomando empotrado 2 vías con soporte, toma de agua, teleducha y rociador metálico mural Ø250m.

Alexia, shower set with concealed single lever 2 ways mixer, water outlet, handshower, metallic headshower Ø250m.

Cartucho Cartridge: 252204



K3624012

36D302750
362411S+BHRM250

K3624012NM

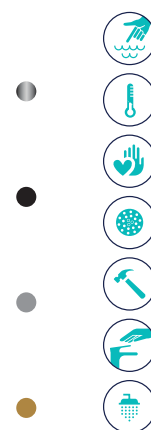
36D305483
362411SNM+BHRM250NM

K362401NC

36D305485
362411SNC+BHRM250NC

K3624012OC

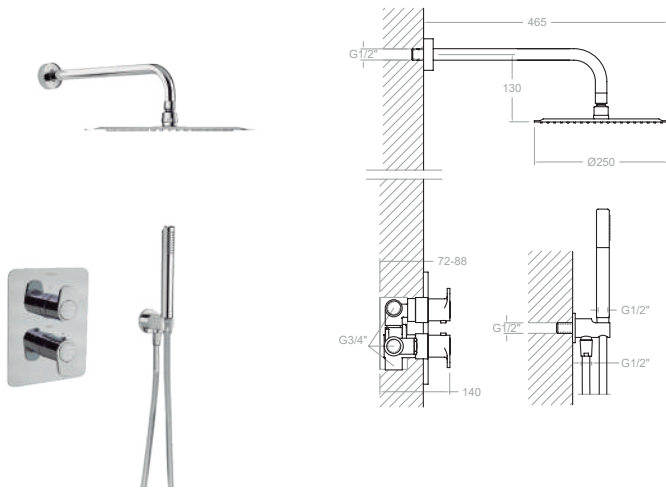
36D305484
362411SOC+BHRM250OC



Alexia, conjunto termostático empotrado 1 vía con rociador metálico Ø250mm.

Alexia, shower set with thermostatic 1 way mixer, water outlet, handshower, metallic headshower Ø250m.

Montura Mount: AAZ302978



K3687011

36D302755
368712S+BHRM250+3713M+3796+2472C

K3687011NM

36D305486
368712SNM+BHRM250NM+3714NM+3796NM+2475CNM

K3687011NC

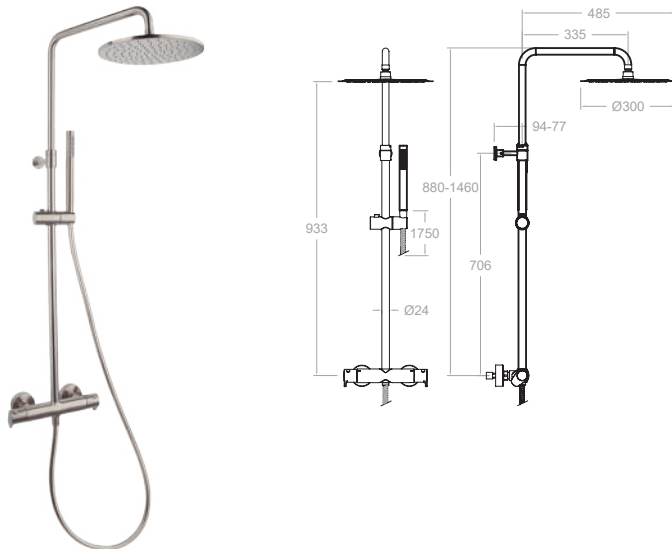
36D305488
368712SNC+BHRM250NC+3714NC+3796NC+2475CNC

K3687011OC

36D305487
368712SOC+BHRM250OC+3714OC+3796OC+2475COC

Alexia, conjunto termostático empotrado 2 vías con soporte, toma de agua, teleducha y rociador metálico Ø250mm.
Alexia, shower set with thermostatic 2 ways mixer, water outlet, handshower, metallic headshower Ø250mm.

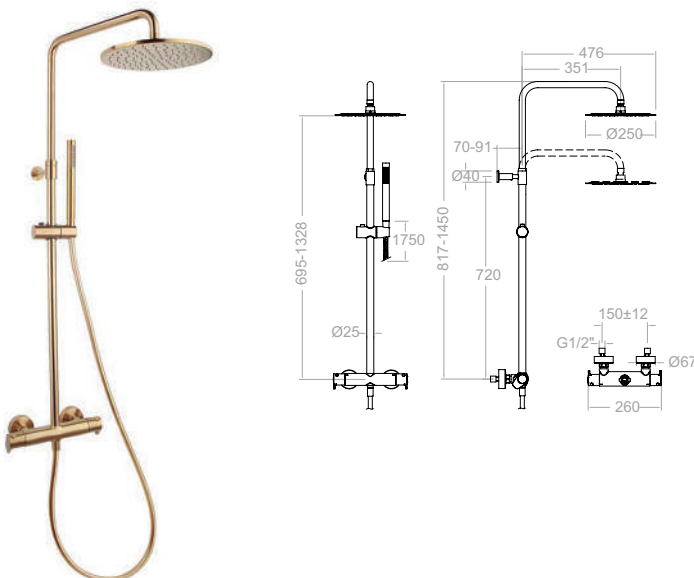
Cartucho Cartridge: AAZ302240 + 210849



365402RM250NC

36D303736
361202SNC+DN130DNC+RM250NC+3714NC+2475CNC

Alexia, columna telescópica termostática, rociador Ø250 mm metálico y accesorios metálicos.
Alexia, thermostatic shower telescopic column, metallic round headshower Ø250 mm and metallic accessories



365412RM250NM

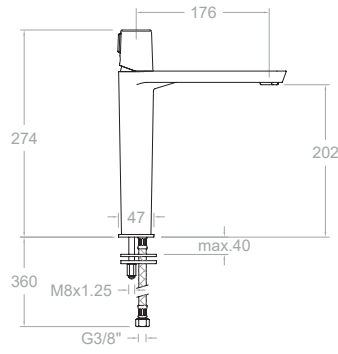
36D308938
361202SNM+DN132DNM+RM250NM+3714NM+2475CNC

365412RM250OC

36D308939
361202SOC+DN132DOC+RM250OC+3714OC+2475COC

Columna telescópica termostática con rociador Ø250 mm metálico y accesorios metálicos
Alexia, thermostatic telescopic column with metallic Ø250mm showerhead and metallic accessories.

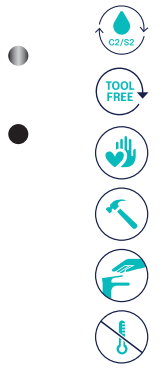




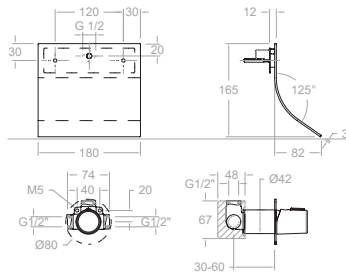
341001
34A302437

341001NM
34A302375

Tzar, monomando de lavabo L.
Tzar, single-lever basin mixer L.



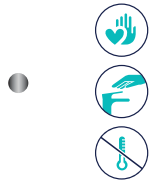
Cartucho Cartridge: AAZ300855



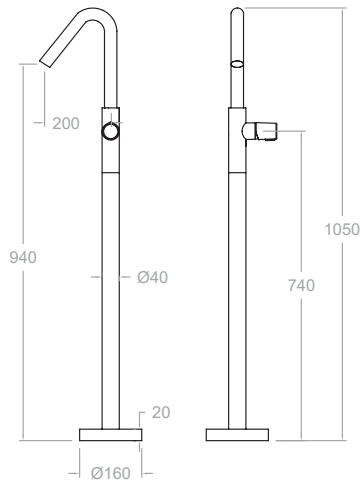
341691
34A302465

XX1801+RB21H+169+3400N-35

Tzar, monomando de lavabo empotrado mural con caño cascada.
Tzar, wall-mounted basin mixer with waterfall spout.



Cartucho Cartridge: 252204



347602S
34A303369

347602SNM
34A303863

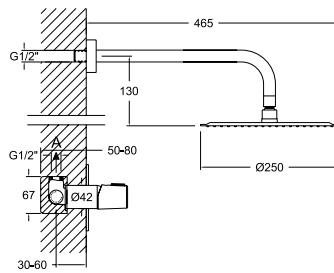
347602SNC
34A303864

347602SOC
34A303865

Tzar, monomando de lavabo de columna.
Tzar, column basin single-lever mixer.



Cartucho Cartridge: AAZ305771



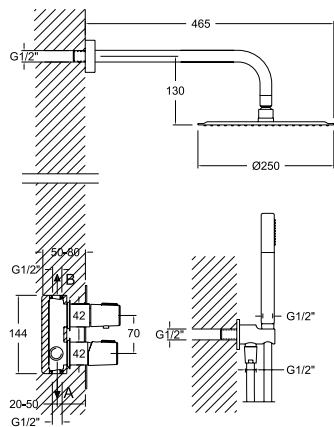
K3418012
34D302876
341801S+BHRM250

K3418012NM
34D302890
341801SNM+BHRM250NM

K3418012NC
34D302892
341801SNC+BHRM250NC

K3418012OC
34D302891
341801SOC+BHRM250OC

Tzar, conjunto monomando empotrado de 1 vía con rociador metálico de Ø250 mm.
Tzar, 1-way wall-mounted single-lever mixer with Ø250 mm metal spray head.



K3415021
34D302878
341502S+BHRM250+3713M+3796+2472C

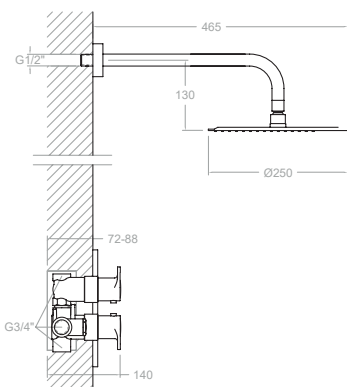
K3415021NM
34D302896
341502SNM+BHRM250NM+3714NM+3796NM+2475CNM

K3415021NC
34D302898
341502SNC+BHRM250NC+3714NC+3796NC+2475CNC

K3415021OC
34D302897
341502SOC+BHRM250OC+3714OC+3796OC+2475COC

Tzar, conjunto monomando empotrado de 2 vías con soporte, toma de agua, teleducha y rociador mural metálico de Ø250 mm.
Tzar, 2-way wall-mounted single-lever mixer with bracket, water inlet, hand shower and Ø250 mm metal wall-mounted spray head.





K3424012

34D302753
342411S+BHRM250

K3424012NM

34D305477
342411SNM+BHRM250NM

K3424012NC

34D305479
342411SNC+BHRM250NC

K3424012OC

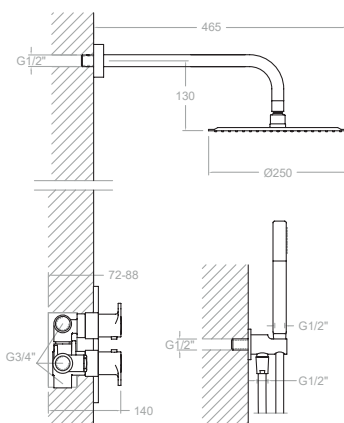
34D305478
342411SOC+BHRM250OC

Tzar, conjunto termostático empotrado de 1 vía con rociador metálico de Ø250 mm.

Tzar, 1-way wall-mounted thermostatic set with Ø250 mm metal spray head.

Cartucho Cartridge: AAZ302240

Montura Mount: AAZ302978



K3487011

34D302759
348712S+BHRM250+3713M+3796+2472C

K3487011NM

34D305480
348712SNM+BHRM250NM+3714NM+3796NM+2475CNM

K3487011NC

34D305482
348712SNC+BHRM250NC+3714NC+3796NC+2475CNC

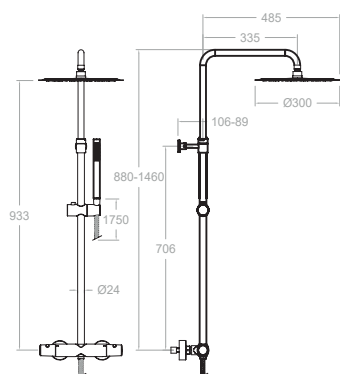
K3487011OC

34D305481
348712SOC+BHRM250OC+3714OC+3796OC+2475COC

Tzar, conjunto termostático empotrado de 2 vías con soporte, toma de agua, teleducha y rociador metálico de Ø250 mm.

Tzar, 2-way wall-mounted thermostatic set with bracket, water inlet, hand shower and Ø250 mm metal spray head.

Cartucho Cartridge: AAZ302240 + 210849



345402RM300

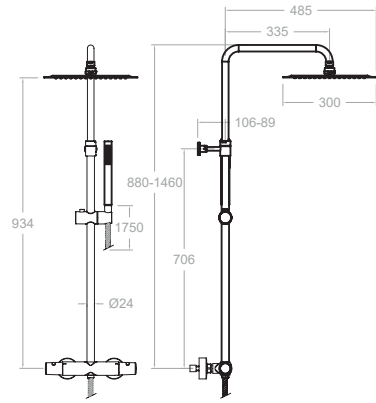
34D303726
341202S+DNI30D+RM300+3713M+2472C

Tzar, columna telescópica termostática, rociador de Ø300 mm metálico y accesorios metálicos.

Tzar, telescopic thermostatic column, metallic Ø300mm showerhead and metallic accessories.

Cartucho Cartridge: AAZ302240 + 210849





345402RM250NM

34D303737

341202SNM+DN130DNM+RM250NM+3714NM+2475CNM



345402RM250NC

34D303735

341202SNC+DN130DNC+RM250NC+3714NC+2475CNC



345402RM250OC

34D303739

341202SOC+DN130DOC+RM250OC+3714OC+2475COC

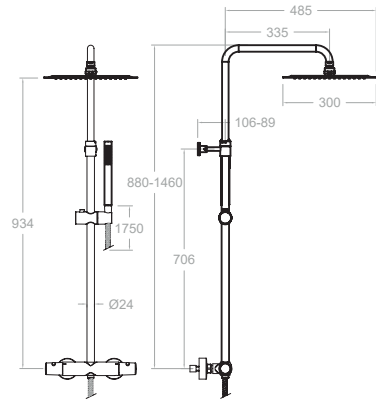


Tzar, columna telescópica termostática, rociador de Ø250 mm metálico y accesorios metálicos.

Tzar, telescopic thermostatic column, metallic Ø250 mm showerhead and metallic accessories.



Cartucho Cartridge: AAZ302240 + 210849



345402RK300N

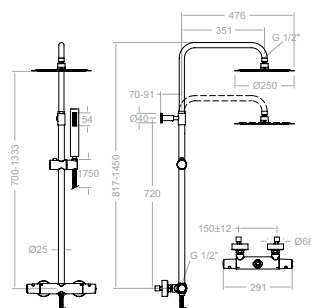
34D303725

341202S+DN130D+RK300N+4713P+2472C



Tzar, columna telescópica termostática, rociador cuadrado metálico y accesorios metálicos.

Tzar, telescopic thermostatic column, metallic square showerhead and metallic accessories.



345412RM250NM

34D308639

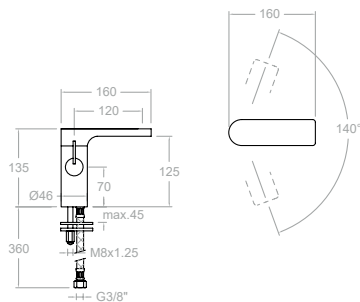
341202SNM+DN132DNM+RM250NM+3714NM+2475CNM



Tzar, columna telescópica termostática, rociador de Ø250 mm metálico y accesorios metálicos.

Tzar, telescopic thermostatic column, metallic Ø250 mm showerhead and metallic accessories.



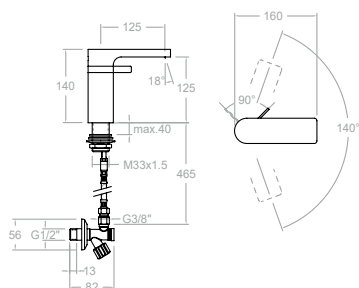


2602
261777

Arola, monomando de lavabo con caño giratorio y aireador.
Arola, Washbasin single lever mixer with swivel spout and aerator.



Cartucho Cartridge: 261937



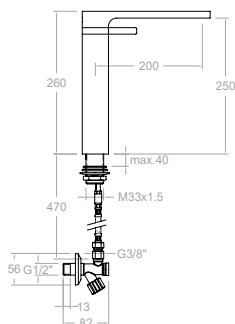
2601
226428

2601NM
26A302582

Arola, monomando de lavabo con salida cascada, caño giratorio y cartucho progresivo de apertura en agua fría.
Arola, Washbasin mixer, swivel spout and progressive cartridge with cold opening



Cartucho Cartridge: 226419



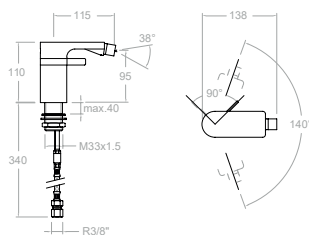
2610
229164

2610NM
26A302584

Arola, monomando de lavabo L con aireador, caño giratorio y cartucho progresivo de apertura en agua fría.
Arola, tall washbasin mixer, swivel spout and progressive cartridge with cold opening



Cartucho Cartridge: 226419



2603
226437

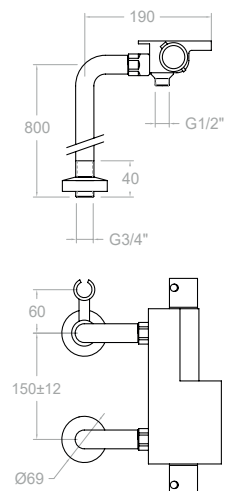
2603NM
26B302583

Arola, monomando de bidé con salida de agua orientable y cartucho progresivo de apertura en agua fría.

Arola, bidet mixer, swivel spout and progressive cartridge with cold opening



Cartucho Cartridge: 226419



2635S
226509

2639S+1370SX2+3517

Arola, termostático de baño-ducha con salida cascada sobre columna.

Arola, thermostatic bath-shower mixer, high column with waterfall outlet, without shower set.



2635MK
259017

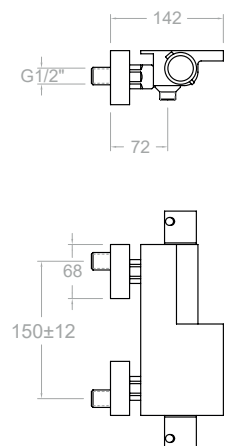
2639S+1370SX2+3517

Arola, termostático de baño-ducha con salida cascada sobre columna con equipo de ducha.

Arola, thermostatic bath-shower mixer, high column with waterfall outlet and complete shower set.



Cartucho Cartridge: 210849 + 184299



2639S
226536

2639SNM
26C302586

Arola, termostático de baño-ducha con salida cascada.

Arola, thermostatic bath-shower mixer with waterfall outlet



Cartucho Cartridge: 210849 + 184299



2639MK

258891
2639S+4713MK+4726M+2471C

2639MRNM

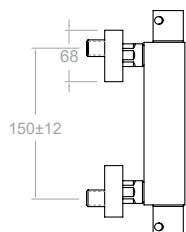
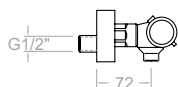
26C302585
2639SNM+4714KNM+472602NM+2475CNM

Arola, termostático de baño-ducha salida cascada con equipo de ducha.

Arola, thermostatic bath-shower mixer, with waterfall outlet, and shower set.



Cartucho Cartridge: 210849 + 184299



263402S

261873

263402SNM

261875

Arola, termostático de ducha.

Arola, thermostatic shower mixer without shower kit.



Cartucho Cartridge: 261919

Montura Mount: 184308



263402MK

261876
263402 S+4713MK+4726M+2471C

263402MRNM

261878
263402SNM+4714KNM+472602NM+2475CNM

Arola, termostático de ducha con equipo de ducha.

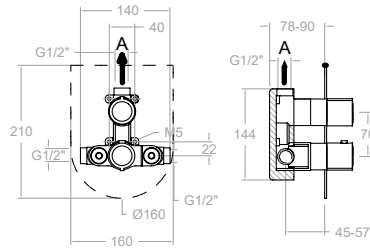
Black Arola, thermostatic shower mixer with shower kit.



Cartucho Cartridge: 261919

Montura Mount: 184308

1 Vía/Way



262411S

26D302529
XX2411-KTU1+265000+265100

262411SNM

26D304973
XX2411NM-KTU1NM+265000NM+265100NM

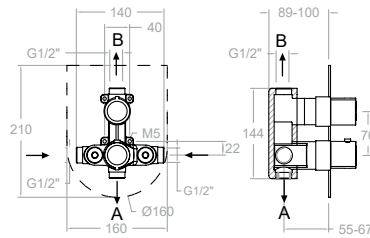
Arola, termostático de ducha empotrado metálico 1 vía con placa ultraslim.

Arola, thermostatic concealed shower 1 way with ultraslim plate.



Cartucho Cartridge: AAZ302240
Montura Mount: AAZ302978

2 Vías/Ways



268712S

26D302538
XX8712-KTU2+265000+265100

268712SNM

26D304974
XX8712NM-KTU2NM+265000NM+265100NM

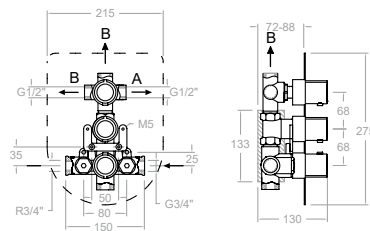
Arola, termostático de baño-ducha empotrado metálico 2 vías con placa ultraslim.

Arola, thermostatic concealed shower 2 ways.



Cartucho Cartridge: AAZ302240 + 210849

3 Vías/Ways



2627S

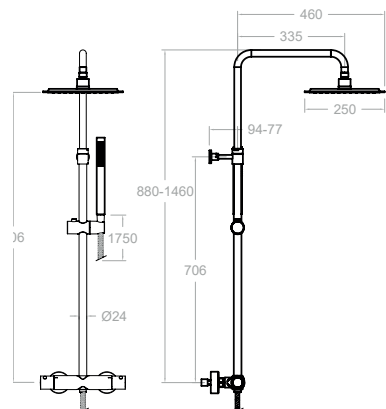
229533
ETDI-KL23+2651+2655+2653

Arola, termostático de baño-ducha empotrado metálico 3 vías con placa ultraslim.

Arola, thermostatic concealed bath-shower mixer 3 ways with ultraslim plate.



Cartucho Cartridge: 250665 + 213576
Montura Mount: 214332



265403RK250

26D303718
261203S+DN130D+RK250+4713MK+2471C

265403RK250NM

26D304975
261203SNM+DN130DNM+RK250NM+4714KNM+2475CNM

Arola, columna de ducha telescópica termostática rociador metálico cuadrado 250mm.

Arola, thermostatic shower column with telescopic bar.



261203S

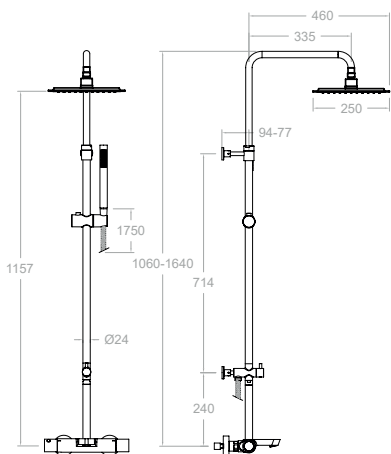
26D303731

261203SNM

26D304977

Arola, termostático de ducha.

Arola, thermostatic shower.



265602RK250

26C303798
264612S+DNI30D+T18+IDP16+RK250+4713P+2471C

265602RK250NM

26C304976
264612SNM+DN130DNM+T18NM+IDP16NM+RK250NM+4714KNM+2475CNM

Arola, columna de baño-ducha telescópica termostática rociador metálico cuadrado 250mm.

Arola, thermostatic bath-shower column with telescopic bar.



264612S

26C303808

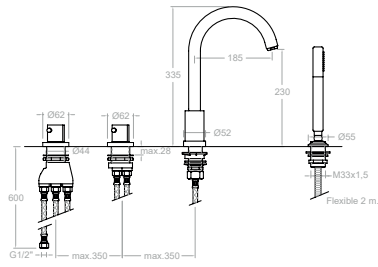
264612SNM

26C304978

Arola, termostático de baño-ducha.

Arola, thermostatic bath-shower mixer.





263303TM

26C301649

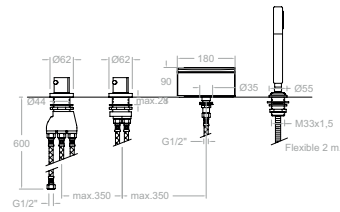
T2633+D2633+3713M+9989SC+C623302+2850C

Arola, termostático de repisa para bañera con equipo de ducha metálico.

Arola, deck mounted thermostatic bathtub set with shower kit.



Cartucho Cartridge: 210849 + 213576



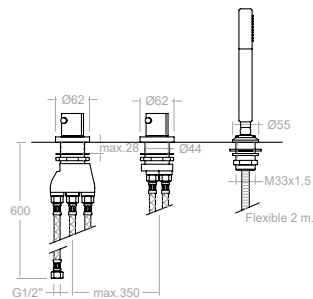
263304TM

26C302909

T2633+D2633+3713M+9989SC+CR01+2850C

Arola, termostático de repisa para bañera con caño cascada y equipo de ducha metálico.

Arola, deck mounted thermostatic bathtub set with waterfall and shower kit.



2633TSCAM

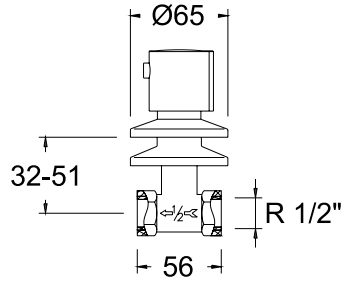
255867

T2633+D2633+3713M+9989SC+2850C

Arola, termostático de repisa para bañera sin caño y con equipo de ducha metálico.

Arola, deck mounted thermostatic bathtub with shower kit, without bath spout.

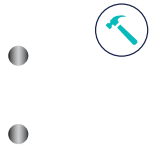




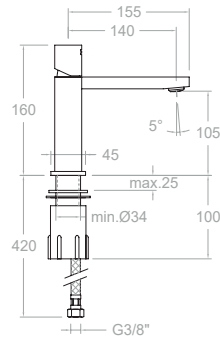
26073/4X1
226455

26071/2X1
226446

Arola, llave de paso de 3/4.
Arola, 3/4" stopcock.



Montura Mount: 128329

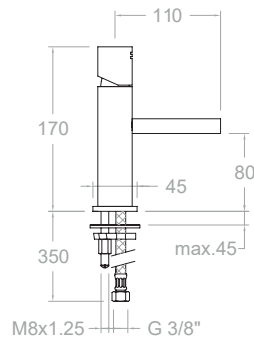


4702
241152

Kuatro, monomando de lavabo.
Kuatro, single lever washbasin mixer.



Cartucho Cartridge: 214341

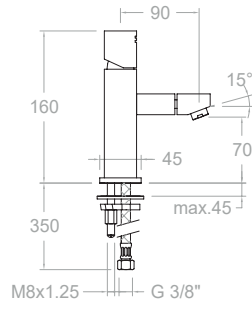


4731
229497

Kuatro, monomando de lavabo con caño abierto salida cascada, caudal limitado.
Kuatro, single lever washbasin mixer with cascade spout.



Cartucho Cartridge: 214341

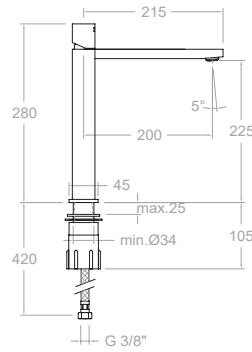


4703
212010

Kuatro, monomando de bidé.
Kuatro, single lever bidet mixer.



Cartucho Cartridge: 214341

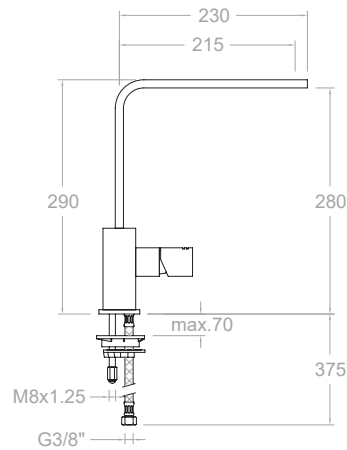


4710N
241179

Kuatro, monomando de lavabo L.
Kuatro, single lever washbasin L mixer.



Cartucho Cartridge: 214341

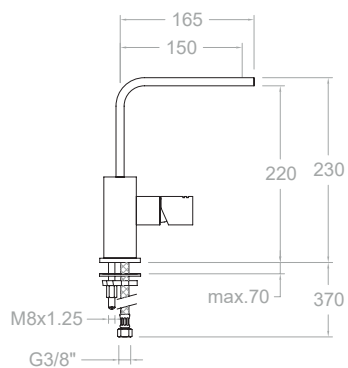


4729
222270

Kuatro, monomando de lavabo o fregadero L con caño giratorio.
Kuatro, washbasin or sink mixer L with swivel spout.



Cartucho Cartridge: 214341

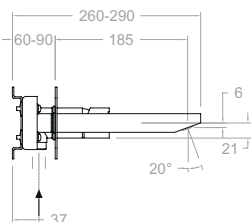
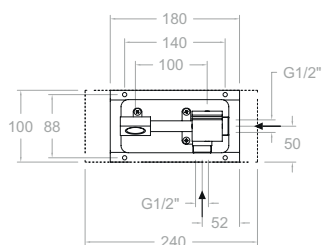


4721
222297

Kuatro, monomando de lavabo con caño giratorio.
Kuatro, single lever washbasin mixer with swivel spout.



Cartucho Cartridge: 214341



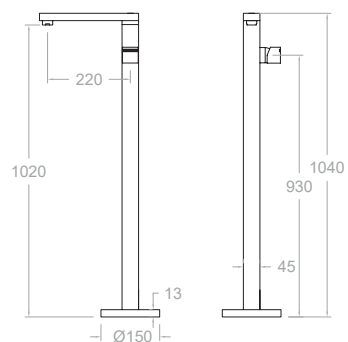
4720
47A300682

XX20CF+KB20+CLEK+4700N-35

Kuatro, monomando de lavabo empotrado mural con placa metálica ultraslim y caño 19 cm.
Kuatro, wall washbasin mixer with ultraslim metal plate and 19 cm spout.



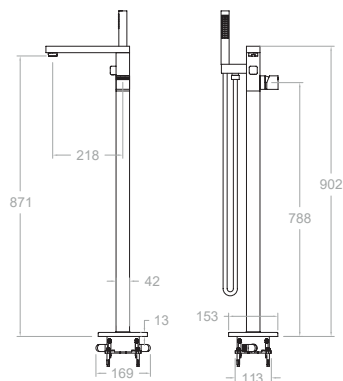
Cartucho Cartridge: AAZ300973



477602S
47A303373

Kuatro, columna de pie monomando lavabo.
Kuatro, free standing washbasin mixer.





478502S

47C303364

Kuatro, columna de pie monomando para bañera.
Kuatro, free standing bath shower column.

Cartucho Cartridge: AAZ305772 + AAZ305815



478502MK

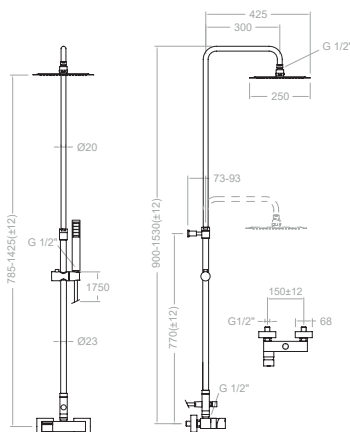
47C303365

478502S+4713MK+2471C

Kuatro, columna de pie monomando para bañera con equipo de ducha metálico.

Kuatro, free standing bath shower column with metal shower set.

Cartucho Cartridge: AAZ305772 + AAZ305815



4758RK250

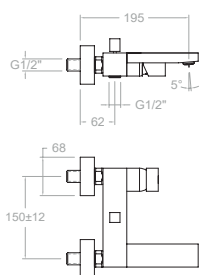
257235

4728S+DN130+IDH1/2+RK250+4716PR+2471C

Kuatro, columna de ducha telescópica monomando con rociador cuadrado metálico 250mm.

Kuatro, single lever shower telescopic column with metal squared headshower 250mm.

Cartucho Cartridge: 35000-2 (3760)



4725S

241197

Kuatro, monomando de baño-ducha.
Kuatro, bath-shower single lever mixer.

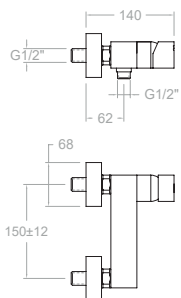


4725MK

257172

Monomando de ducha con equipo de ducha metálico.
Shower mixer with shower kit.





4728S

241215

Kuatro, monomando de ducha.
Kuatro, shower single lever mixer.

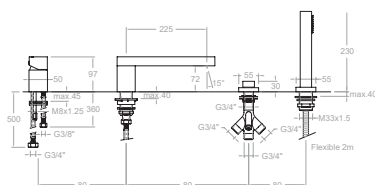


4728MK

257181

4728S+4713MK+4726M+2471C

Kuatro, monomando de ducha con equipo de ducha metálico.
Kuatro, shower single lever mixer with shower set.



473202S

47C301658

Kuatro, monomando de repisa para bañera.
Kuatro, deck mounted single lever bath-shower mixer.

Cartucho Cartridge: AAZ300877



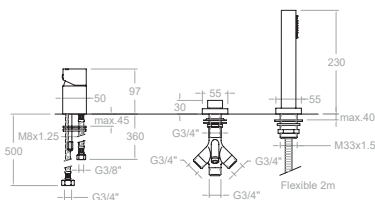
473302MK

47C301659

473202S+K33+C4733+4709+4789SC+4713MK+2850C

Kuatro, monomando de repisa para bañera con equipo de ducha.
Kuatro, deck mounted single lever bath-shower mixer with shower set.

Cartucho Cartridge: AAZ300877



473302SCAMK

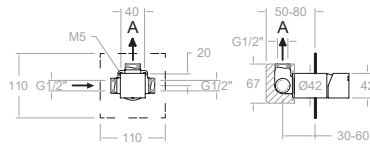
47C301661

Conjunto monomando de baño- ducha para repisa, sin caño, con equipo de ducha.

Deck mounted bathtub mixer with shower kit and interior bathtub spout.



1 Vía/Way



471801S

47D300645

XX1801+K1+4700N-35

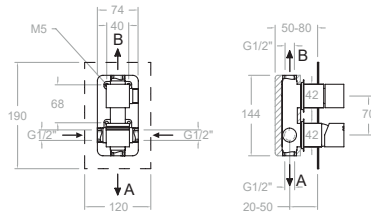
Kuatro, monomando de ducha empotrado metálico 1 vía con placa ultraslim.

Kuatro, single lever concealed mixer 1 way with ultraslim metal plate.



Cartucho Cartridge: 252204

2 Vías/Ways



471502S

47C300646

XX1502+K2+475100+4700N-35

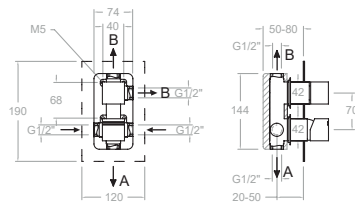
Kuatro, monomando de baño- ducha empotrado metálico 2 vías con placa ultraslim.

Kuatro, single lever concealed mixer 2 ways with ultraslim metal plate.



Cartucho Cartridge: 252204

3 Vías/Ways



471503S

47C300647

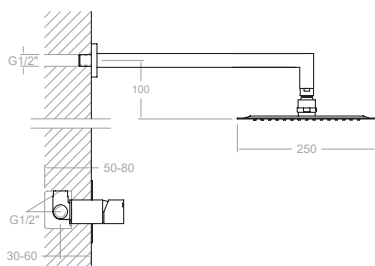
XX1503+K3+475100+4700N-35

Kuatro, monomando de baño- ducha empotrado metálico 3 vías con placa ultraslim.

Kuatro, single lever concealed mixer 3 ways with ultraslim metal plate.



Cartucho Cartridge: 252204



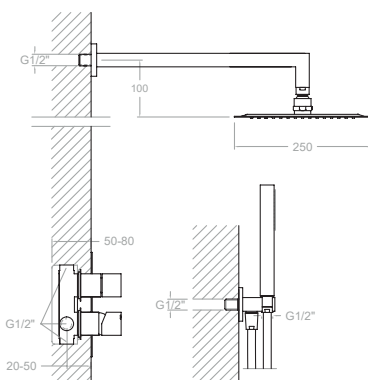
K4718012

47D301359

471801S+BHRK250

Kuatro, conjunto monomando empotrado metálico 1 vía con rociador metálico mural cuadrado de 250mm.

Kuatro, shower set with single lever concealed mixer 1 way with metal squared headshower 250mm.



K4715021

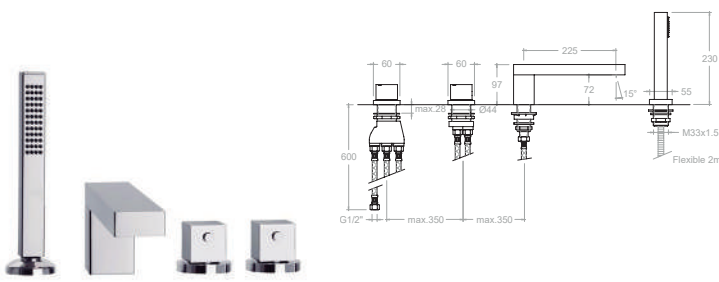
47C301360

471502S+BHRK250+4713MK+4796+2471C

Kuatro, conjunto monomando empotrado metálico 2 vías con equipo de ducha metálico y rociador metálico mural cuadrado de 250mm.

Kuatro, shower set with single lever concealed mixer 2 ways with metal shower set and metal squared headshower 250mm.





4733TMK

256065

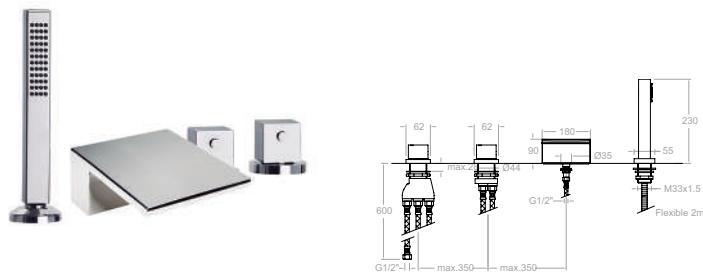
T4733+D4733+4713MK+9989SC+C4733+2850C

Kuatro, termostático de repisa para bañera con equipo de ducha.

Kuatro, deck mounted thermostatic bath-shower mixer with shower set.



Cartucho Cartridge: 210849 + 213576



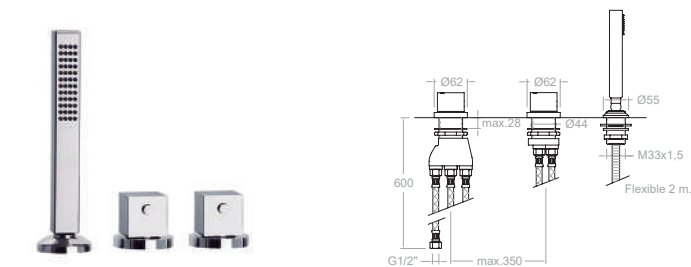
473303TMK

47C302911

T4733+D4733+4713MK+9989SC+CR01+2850C

Kuatro, termostático de repisa para bañera con cascada y equipo de ducha.

Kuatro, deck mounted thermostatic bath-shower mixer with shower set and cascade spout.



4733TSCAMK

256074

T4733+D4733+4713MK+9989SC+2850C

Kuatro, termostático de repisa para bañera, sin caño, con equipo de ducha.

Kuatro, deck mounted thermostatic shower mixer with shower set.



Cartucho Cartridge: 210849 + 213576



4736S

215304

Kuatro, termostático de baño-ducha.
Kuatro, thermostatic bath-shower mixer.



Cartucho Cartridge: 217518
Montura Mount: 184308



4736MK

257280

4736S+4713MK+4726M+2471C

Kuatro, termostático de baño-ducha con equipo de ducha metálico.
Kuatro, thermostatic bath-shower mixer with metal shower set.



Cartucho Cartridge: 217518
Montura Mount: 184308



4734S

215295

Kuatro, termostático de ducha.
Kuatro, thermostatic shower mixer.



Cartucho Cartridge: 217518
Montura Mount: 184308



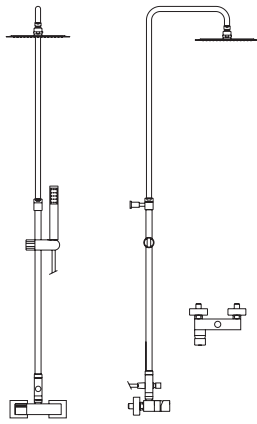
4734MK

257271

4734S+4713MK+4726M+2471C

Kuatro, termostático de ducha con equipo de ducha metálico.
Kuatro, thermostatic shower mixer with metal shower set.





4754RK250

257289

4742S+DN130+IDH1/2+RK250+4716PR+2471C

Kuarto, columna de ducha telescópica termostática con rociador cuadrado metálico 250mm.

Kuarto, thermostatic shower telescopic column with metal squared headshower 250mm.



4742S

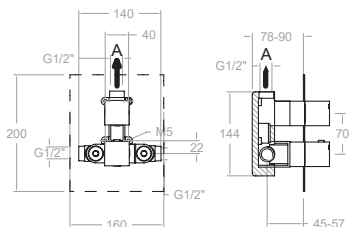
225168

Kuarto, termostático para columna de ducha.

Kuarto, thermostatic body for shower column.



1 Vía/Way



472411S

47D302531

XX2411+KT1+475100+475000

Kuatro, termostático de ducha empotrado 1 vía con placa metálica ultraslim.

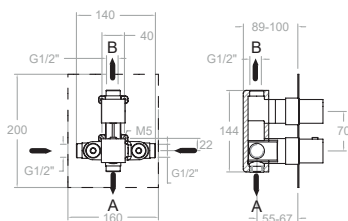
Kuatro, thermostatic concealed mixer 1 way with ultraslim metal plate.



Cartucho Cartridge: AAZ302240

Montura Mount: AAZ302978

2 Vías/Ways



478712S

47D302540

XX8712+KT2+475100+475000

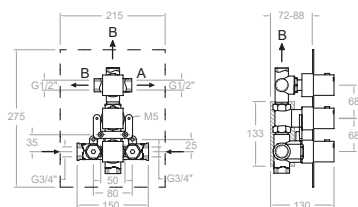
Kuatro, termostático de ducha empotrado 2 vías con placa metálica ultraslim.

Kuatro, thermostatic concealed mixer 2 ways with ultraslim metal plate.



Cartucho Cartridge: AAZ302240 + 210849

3 Vías/Ways



4723S

227706

ETDI+KK23+4752(x3)

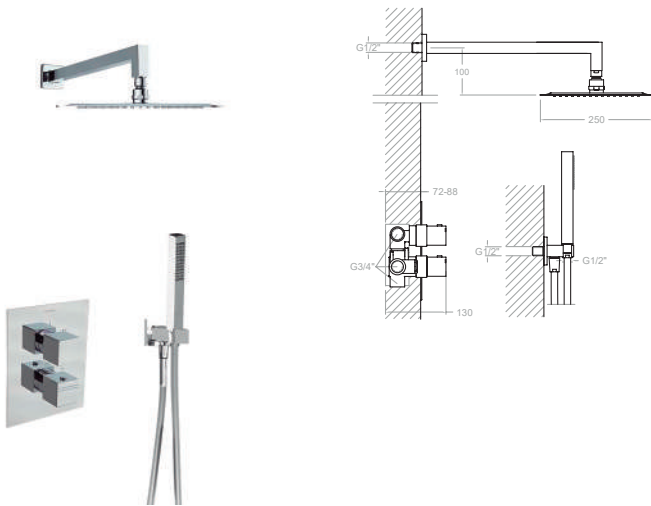
Kuatro, termostático de ducha empotrado 3 vías con placa metálica ultraslim.

Kuatro, thermostatic concealed mixer 3 ways with ultraslim metal plate.



Cartucho Cartridge: 250665 + 213576

Montura Mount: 214332



K4787011

47D302766

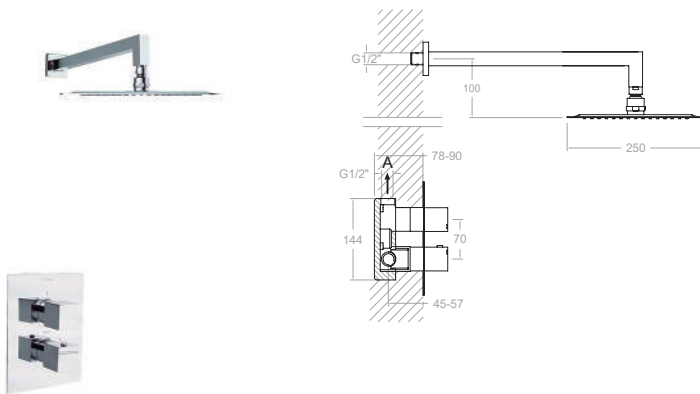
478712S+BHRK250+4713MK+4796+2471C

Kuatro, conjunto termostático empotrado metálico 2 vías con equipo de ducha metálico y rociador metálico mural cuadrado de 250mm.

Kuatro, shower set with thermostatic concealed mixer 2 was with metal squared headshower 250mm and metal shower set.



Cartucho Cartridge: AAZ302240 + 210849



K4724012

47D302765

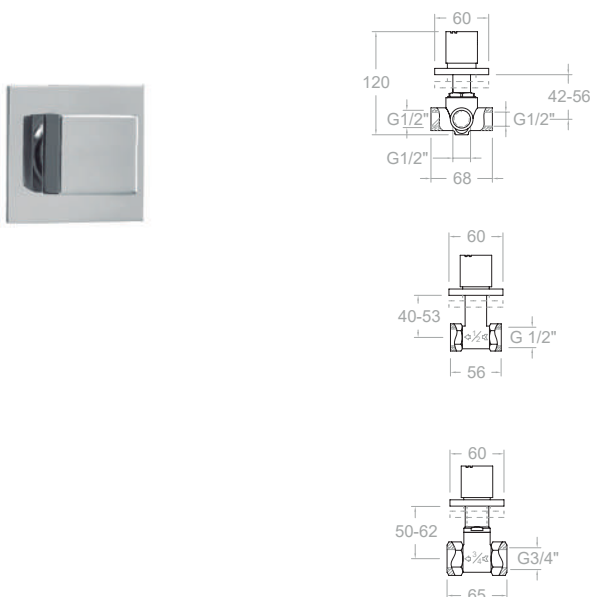
472411S+BHRK250

Kuatro, conjunto termostático empotrado metálico 1 vía con rociador metálico mural cuadrado de 250mm.

Kuatro, shower set with thermostatic concealed mixer 1 way with metal squared headshower 250mm.



Montura Mount: AAZ302978



4737

212145

Kuatro, inversor 3 vías mural.
Kuatro, 3 way diverter.

Cartucho Cartridge: 250665



47071/2X1

214539

Kuatro, llave de paso de 1/2".
Kuatro, angle valve 1/2".

Montura Mount: 800413



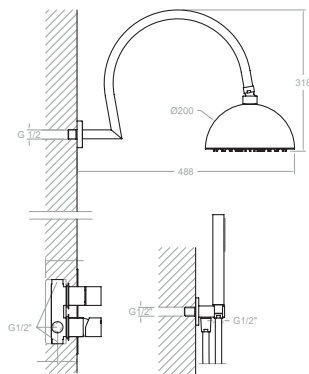
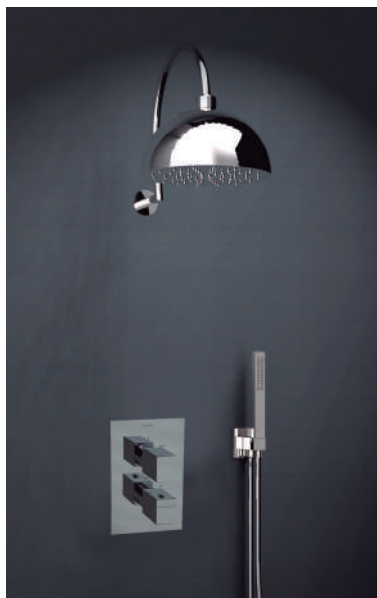
47073/4X1

214593

Kuatro, llave de paso de 3/4".
Kuatro, angle valve 3/4".

Montura Mount: 128329





SK4787011

47D302767
478712S+4713MK+4796+2471C

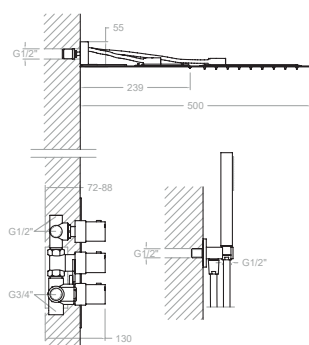
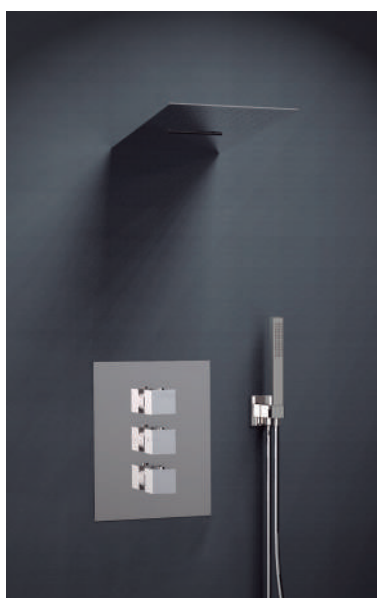
+

RB2A390

99H300748

Conjunto termostático empotrado 2 vías con soporte más toma de agua, teleducha metálica y rociador redondo Ø200 mm de acero inoxidable con brazo mural.

Concealed thermostatic 2 ways with metal hand shower and round stainless steel shower head Ø 200 mm with wall arm.



SK4723001

47C301412
4723S+4713MK+4796+2471C

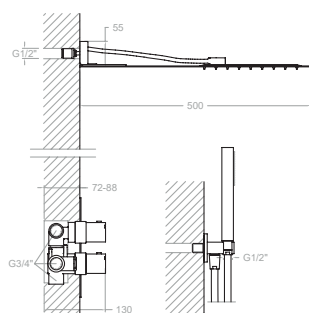
+

RCRK

99Z300708

Conjunto termostático empotrado 3 vías con rociador metálico mural salida lluvia ó cascada, soporte más toma de agua y teleducha metálica.

Concealed thermostatic 3 ways with metal wall shower head rain or waterfall effect and metal hand shower.



SK4715021

47C301406
471502S+4713 MK+4796+2471C

+

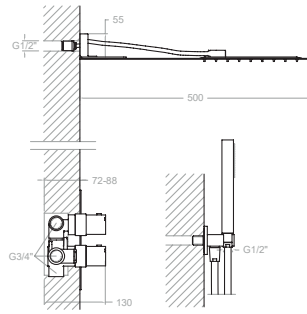
RRK

99Z300709

Conjunto monomando empotrado 2 vías con rociador metálico mural, soporte más toma de agua y teleducha metálica.

Single lever 2 ways concealed with metal wall shower head, support plus water intake and metal hand shower.





SK4715031

47C301409

471503 S+4713 MK+4796+2471C

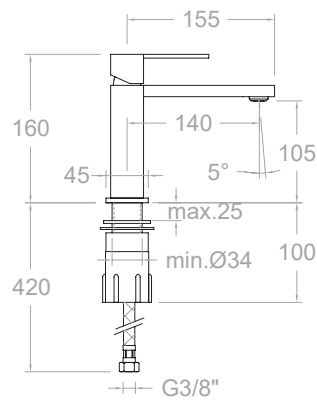
+

RRK

99Z300709

Conjunto monomando empotrado 2 vías con rociador metálico mural, soporte más toma de agua y teleducha metálica.

Single lever 2 ways concealed with metal wall shower head, support plus water intake and metal hand shower.



4902

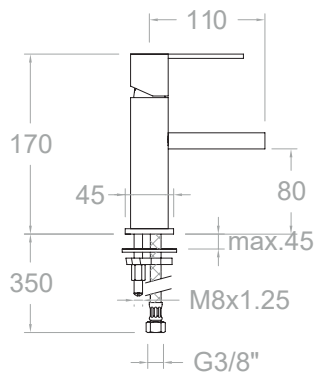
240117

Kuatro NK, monomando de lavabo.

Mitigeur lavabo. Hauteur 160 mm, hauteur sous bec 110 mm, saillie 140 mm.



Cartucho Cartridge: 214341

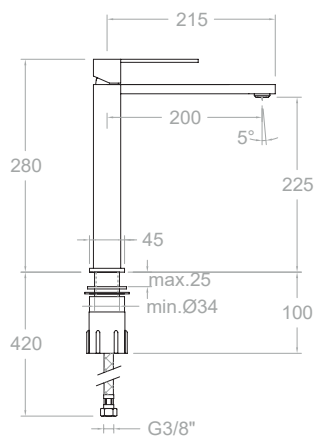


4931
229506

Kuatro NK, monomando de lavabo con caño abierto salida cascada, caudal limitado.
Wash basin mixer with cascade stream. Flow limited 4 l/min.



Cartucho Cartridge: 214341

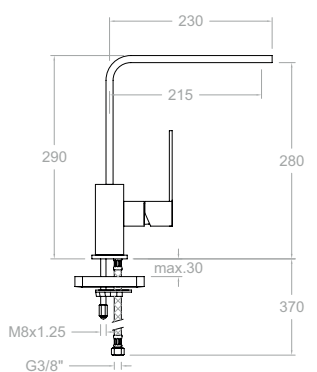


4910
240135

Kuatro NK, monomando de lavabo L.
Wash Basin mixer high Kuatro (long spout 200 mm).



Cartucho Cartridge: 214341

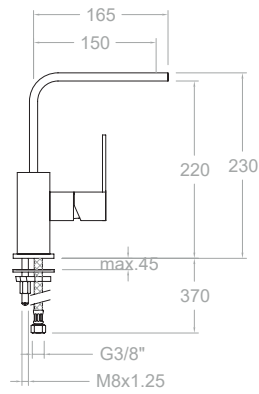


4929
223359

Kuatro NK, monomando de lavabo o fregadero L con caño giratorio.
Sink mixer with swivel spout.



Cartucho Cartridge: 214341

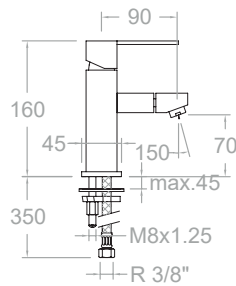


4921
223215

Kuatro NK, monomando de lavabo con caño giratorio.
Wash basin with high spout Kuatro.



Cartucho Cartridge: 214341

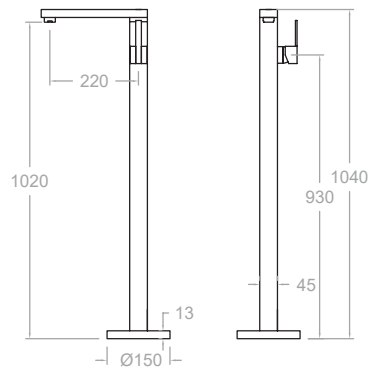


4903
223305

Kuatro NK, monomando de bidé.
Bidet mixer.



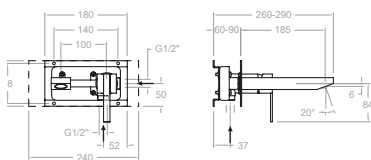
Cartucho Cartridge: 214341



497602S
49A303392

Kuatro NK, columna de pie monomando lavabo.
Kuatro NK, free standing washbasin mixer.



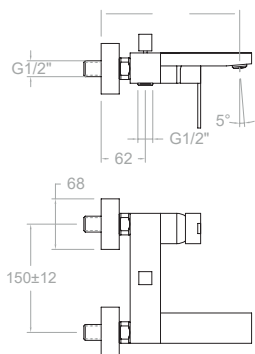


4920

49A300683

XX20CF+KB20+CLEK+4900N-35

Kuatro NK, monomando de lavabo empotrado mural con placa metálica ultraslim y caño 19 cm.
Concealed wash basin mixer.



4925S

240144

Kuatro NK, monomando de baño-ducha.
Bath and shower mixer without shower set.



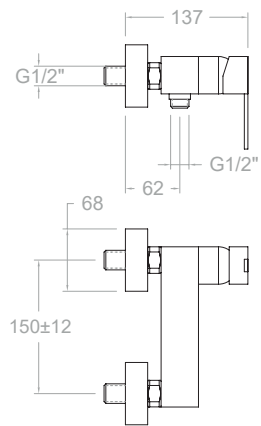
4925MK

256911

4925S+4713MK+4726M+2471C

Kuatro NK, monomando de baño-ducha con equipo de ducha metálico.
Bath and shower mixer with shower kit.





4928S
240153

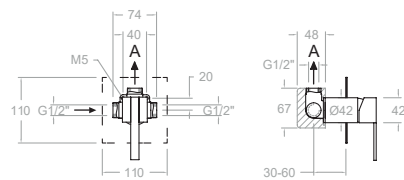
Kuatro NK, monomando de ducha.
Shower mixer without shower set.



4928MK
256920

4928S+4713MK+4726M+2471C

Kuatro NK, monomando de ducha con equipo de ducha metálico.
Shower mixer with shower kit.

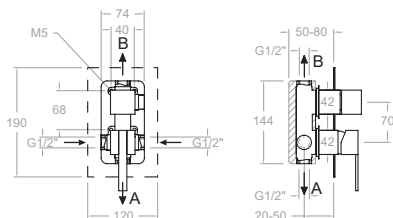


491801S
49D300649

XX1801-K1+4900N-35

Kuatro NK, monomando de ducha empotrado metálico 1 vía con placa ultraslim.
Concealed Shower mixer without shower and spout.





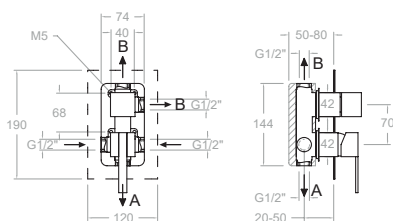
491502S

49C300650

XX1502+K2+475100+4900N-35

Kuatro NK, monomando de baño-ducha empotrado metálico 2 vías con placa ultraslim.

Concealed Shower mixer without shower and spout.



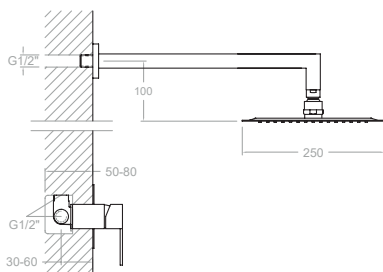
491503S

49C300651

XX1503+K3+475100+4900N-35

Kuatro NK, monomando de baño-ducha empotrado metálico 3 vías con placa ultraslim.

Concealed Shower mixer without shower and spout.



K4918012

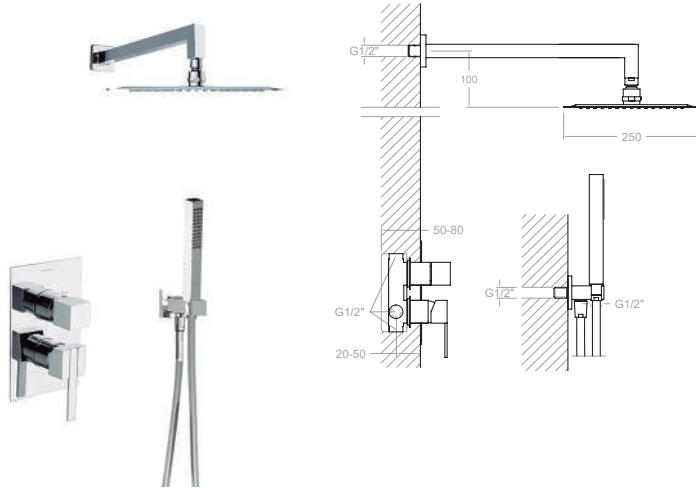
49D301370

491801S+BHRK250

Kuatro NK, conjunto monomando empotrado metálico 1 vía con rociador metálico mural cuadrado de 250mm.

Kuatro NK, shower set with thermostatic concealed mixer 1 way with metal squared headshower 250mm.





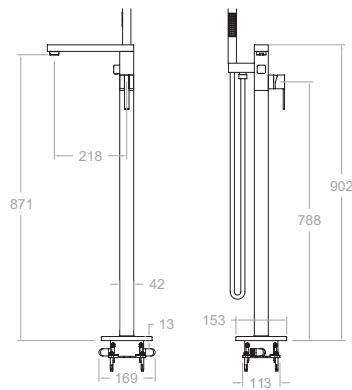
K4915021

49C301371

491502S+BHRK250+4713MK+4796+2471C

Kuatro NK, conjunto monomando empotrado metálico 2 vías con equipo de ducha metálico y rociador metálico mural cuadrado de 250mm.

Kuatro NK, shower set with single lever concealed mixer 2 ways with metal shower set and metal squared headshower 250mm.



498502S

49C303390

Kuatro NK, columna de pie monomando para bañera.

Kuatro NK, free standing bath shower mixer column.



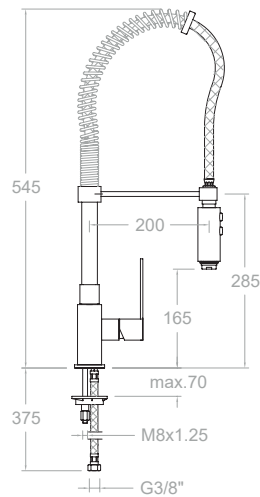
498502MK

49C303391

498502S+4713MK+2471C

Kuatro NK, columna de pie monomando para bañera con equipo de ducha metálico.

Kuatro NK, free standing bath shower column with metal shower set.



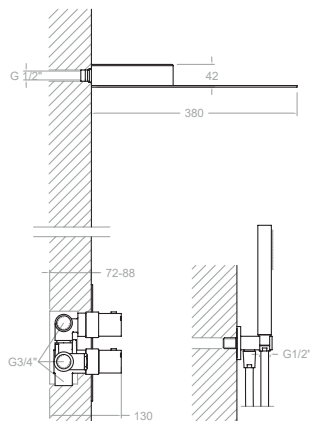
4966

223377

Kuatro NK, monomando de fregadero industrial con caño extraíble y dos jets orientables.

Sink mixer Professional Kitchen.



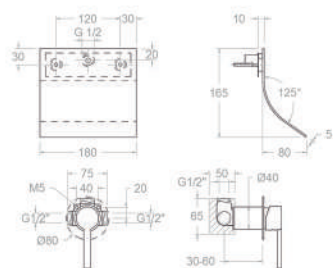
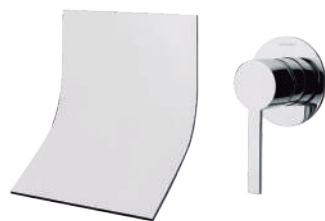


SK4915021

49C301414

491502S+4713MK+4796+2471C

Kuatro NK, conjunto monomando empotrado.
Kuatro NK, wall-mounted single-lever mixer set.

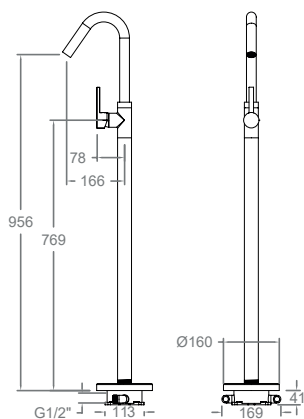


33169

33A300913

XX1801+RB21H+169+3300N-35

Drako, monomando de lavabo empotrado mural con caño cascada extraplano.
Drako, wall-mounted single-lever basin mixer with extra-flat cascade spout.

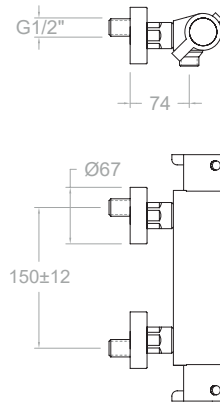


337602S

33A303372

Drako, columna de pie monomando lavabo.
Drako, Single lever washbasin column mixer.





333402D
300160

Drako, termostático de ducha con equipo de ducha.
Drako, thermostatic shower mixer with shower set.



333402T3
261887

Drako, termostático de ducha con equipo de ducha.
Drako, thermostatic shower mixer with shower set.

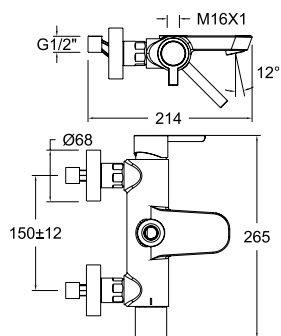


333402AS
300162

333402S+5811AS+3726+2471C

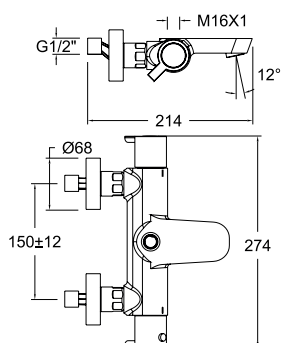
Drako, termostático de ducha con equipo de ducha.
Drako, thermostatic shower mixer with shower set.





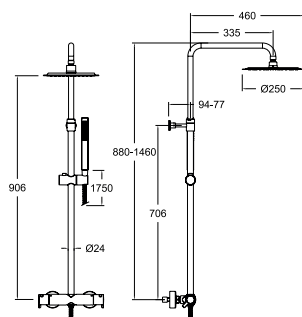
334602S
33C303807

Drako, monomando de baño-ducha con inversor integrado.
Drako, single lever bath-shower mixer with integrated diverter.



334612S
33C303809

Drako, termostático de baño-ducha.
Drako, thermostatic bath-shower mixer.

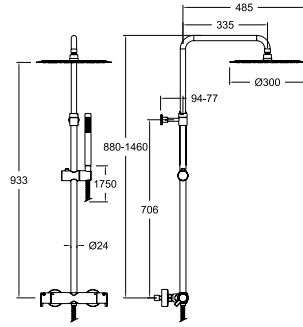


335403RM250
33D303720

331203S+DNI30D+RM250+3713M+2471C

Drako, columna de ducha telescópica termostática rociador metálico Ø250mm.
Drako, thermostatic telescopic shower column, metallic headshower 250mm.





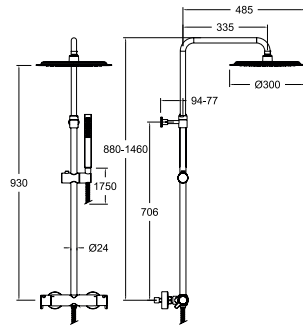
335403RM300

33D303722

331203S+DN130D+RM300+3713M+2471C

Drako, columna de ducha telescópica termostática rociador metálico Ø300mm.

Drako, thermostatic telescopic shower column. Metalic headshower 300mm.



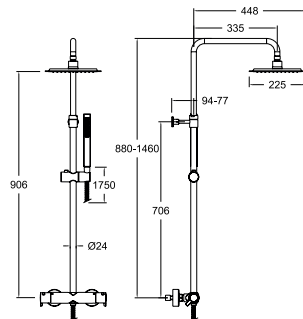
335403RP300

33D303723

331203S+DN130D+RP300+3713P+2471C

Drako, columna de ducha fija termostática rociador Ø300mm.

Drako, thermostatic telescopic shower column. ABS headshower 300mm.



335403RPK225

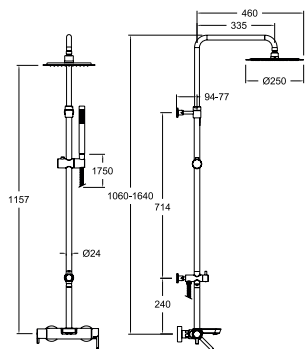
33D303724

331203S+DN130D+RPK225+3713P+2471C

Drako, columna de ducha fija termostática rociador cuadrado 225mm.

Drako, thermostatic telescopic shower column, Square ABS headshower 225mm.





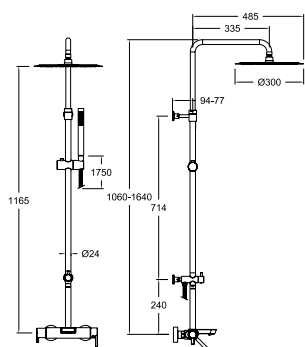
335502RM250

33C303794

334602S+DN130D+T18+IDP16+RM250+3713M+2471C

Drako, columna de baño-ducha telescópica monomando rociador metálico Ø250mm.

Drako, single lever telescopic shower column , Metallic headshower 250mm.



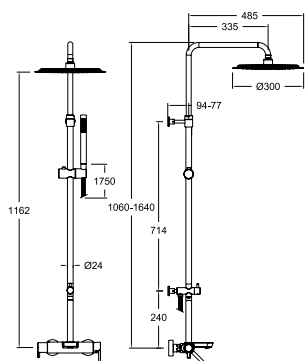
335502RM300

33C303795

334602S+DN130D+T18+IDP16+RM300+3713M+2471C

Drako, columna de baño-ducha telescópica monomando rociador metálico Ø300mm.

Drako, single lever telescopic shower column , Metallic headshower 300mm.



335502RP300

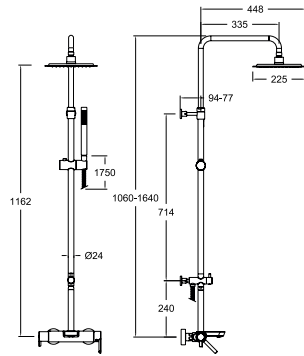
33C303796

334602S+DN130D+T18+IDP16+RP300+3713P+2471C

Drako, columna de baño-ducha telescópica monomando rociador Ø300mm.

Drako, single lever telescopic shower column , ABS headshower 300mm.





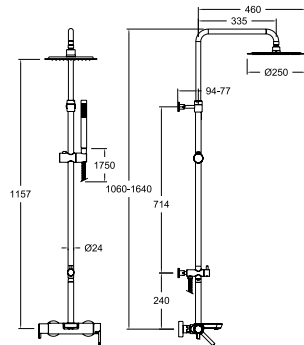
335502RPK225

33C303797

334602S+DNI30D+T18+IDP16+RPK225+3713P+2471C

Drako, columna de baño-ducha telescópica monomando rociador cuadrado 225mm.

Drako, single lever telescopic shower column, Square ABS headshower 225mm.



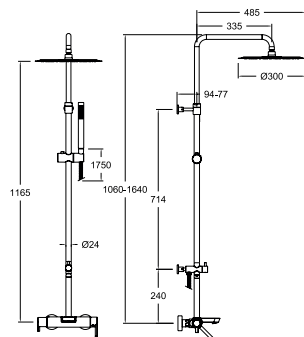
335602RM250

33C303800

334612S+DNI30D+T18+IDP16+RM250+3713M+2471C

Drako, columna de baño-ducha telescópica termostática rociador Ø250mm.

Drako, thermostatic telescopic shower column, Metallic headshower 250mm.



335602RM300

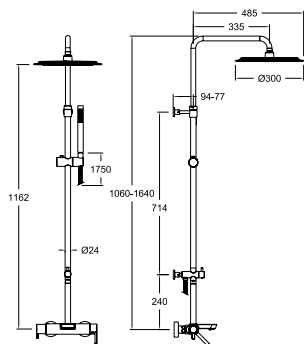
33C303801

334612S+DNI30D+T18+IDP16+RM300+3713M+2471C

Drako, columna de baño-ducha telescópica termostática rociador metálico Ø300mm.

Drako, thermostatic telescopic shower column, Metallic headshower 300mm.





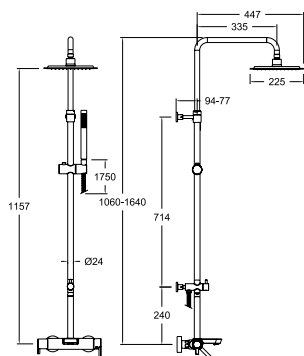
335602RP300

33C303803

334612S+DN130D+T18+IDP16+RP300+3713P+2471C

Drako, columna de baño-ducha telescópica termostática rociador Ø300mm.

Drako, thermostatic telescopic shower column, ABS headshower 300mm.



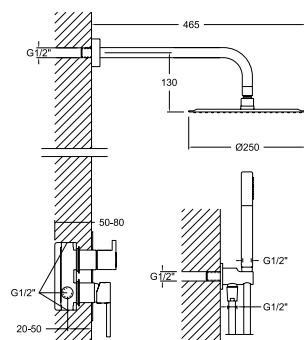
335602RPK225

33C303804

334612S+DN130D+T18+IDP16+RPK225+3713P+2471C

Drako, columna de baño-ducha telescópica termostática rociador cuadrado 225mm.

Drako, thermostatic telescopic shower column, square ABS headshower 225mm.



K3315021

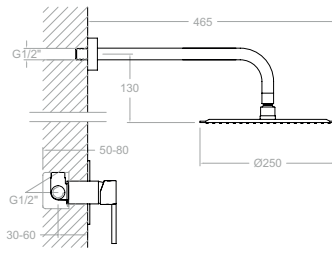
33C301385

331502S+BHRM250+3713M+3796+2471C

Drako, conjunto monomando empotrado metálico 2 vías con soporte, toma de agua, teleducha y rociador metálico mural Ø250m.

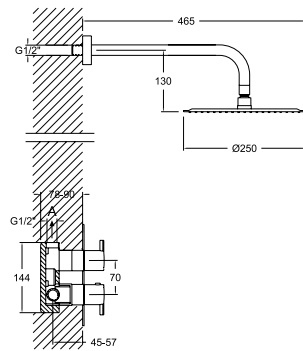
Drako, single lever concealed shower set 2 ways, water intake with support, metallic handshower and headshower.





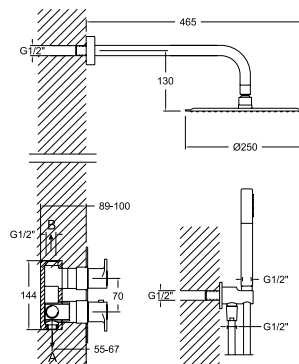
K3318012
33D301384
331801S+BHRM250

Drako, conjunto monomando empotrado metálico 1 vía con rociador metálico Ø250mm.
Drako, single lever concealed shower 1 way, mural metallic headshower.



K3324012
33D302749
332411S+BHRM250

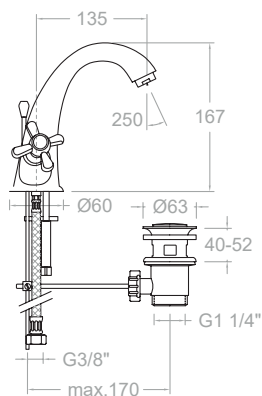
Drako, conjunto termostático empotrado metálico 1 vía con rociador metálico Ø250mm.
Drako, thermostatic concealed shower 1 way, mural metallic headshower.



K3387011
33D302754
338712S+BHRM250+3713M+3796+2471C

Drako, conjunto termostático empotrado metálico 2 vías con soporte, toma de agua, teleducha y rociador metálico Ø250mm.
Drako, thermostatic concealed shower set 2 ways, water intake with support, metallic handshower and headshower.





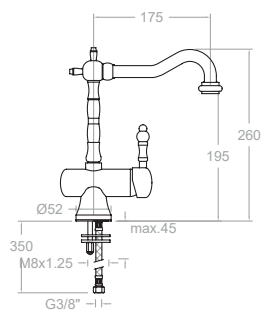
3101C
261827

Gaudí, bimando de lavabo.
Gaudí, basin dual-handle.



3101CVA1167
261828

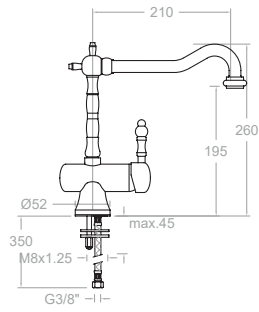
Gaudí, bimando de lavabo con válvula automática de latón 1/4".
Gaudí, basin dual-handle with 1/4" brass automatic valve.



3121
31A302779

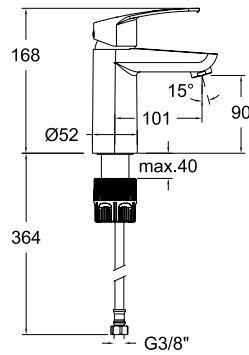
Gaudí, monomando de lavabo con caño de 17cm giratorio.
Gaudí, basin single-handle with 17cm swivel spout.





3129
31E302780

Gaudi, monomando de lavabo con caño de 21cm giratorio.
Gaudi, basin single-handle with 21cm swivel spout.

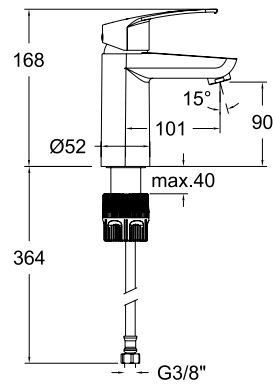


570211
57A305651

570211VA1169
57A306065

570211VA9065
57A306066

New Fly, monomando de lavabo.
New Fly, washbasin single-lever mixer.



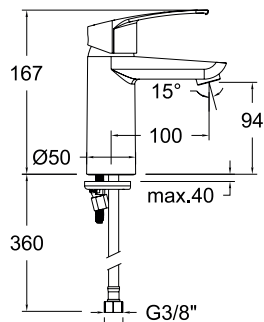
570213
57A305994

570213VA1169
57A306067

570213VA9065
57A306068

New Fly, monomando de lavabo, sistema S3 apertura en frío.
New Fly, washbasin single-lever mixer, S3 system cold opening.



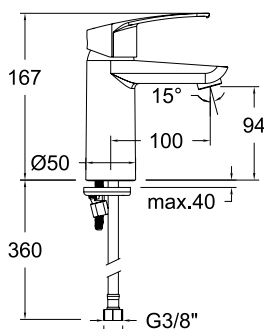
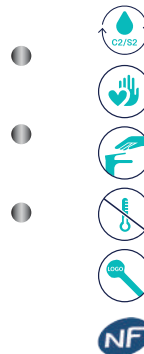


579302
57A304340

579302VA1169
57A304345

579302VA9065
57A304346

New Fly, monomando de lavabo recto, con sistema S2.
New Fly, straight washbasin mixer with S2 system.

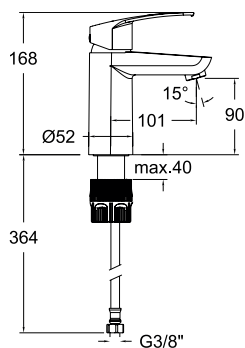
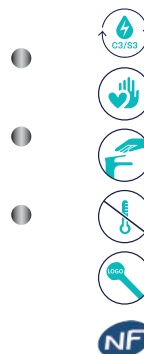


579303
57A304336

579303VA9065
57A304341

579303VA1169
57A304343

New Fly, monomando de lavabo recto, apertura en frío.
New Fly, straight washbasin mixer, cold opening.



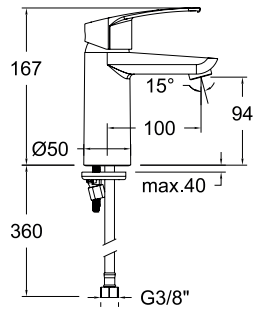
579312
57A306069

579312VA1169
57A306071

579312VA9065
57A306072

New Fly, monomando de lavabo.
New Fly, washbasin mixer.



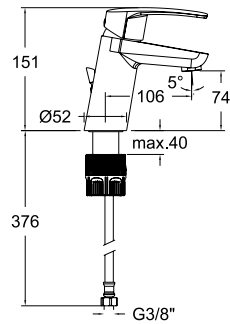


579313
57A306070

579313VA1169
57A306073

579313VA9065
57A306074

New Fly, monomando de lavabo, sistema C3 apertura en frío.
New Fly, washbasin mixer, C3 system cold opening.

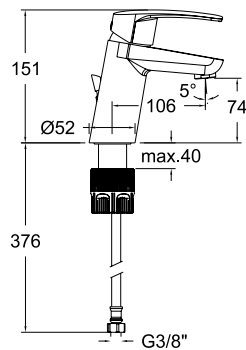


570112
57A306059

570112VA1169
57A306060

570112VA9065
57A306061

New Fly, monomando de lavabo inclinado.
New Fly, inclined washbasin mixer.



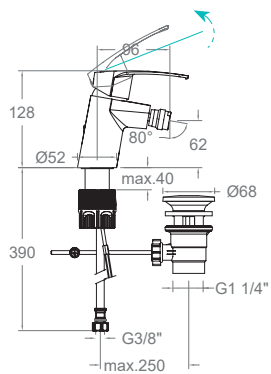
579111
57A306185

579111VA1169
57A306186

579111VA9065
57A306187

New Fly, monomando de lavabo inclinado, sistema C3 apertura en frío.
New Fly, inclined washbasin mixer, C3 system cold opening.





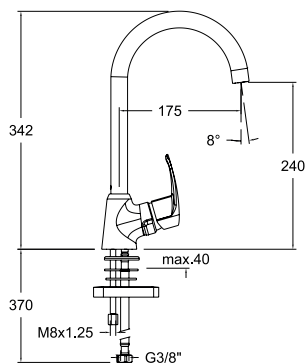
570311
57B305653

570311NM
57B305997

570311VA1169
57B306075

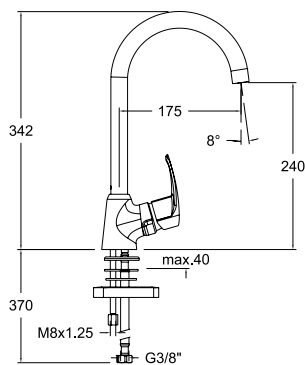
570311VA9065
57B306077

New Fly, monomando de bidé.
New Fly, bidet single-lever mixer.



570601
57E303496

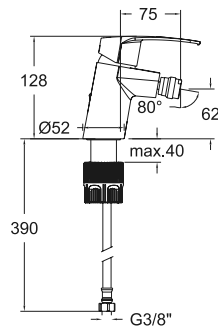
New Fly, monomando de fregadero con caño giratorio.
New Fly, sink single-lever mixer with swivel spout.



579201
57E303497

New Fly, monomando de fregadero con caño alto giratorio.
New Fly, sink mixer with high swiveling spout.

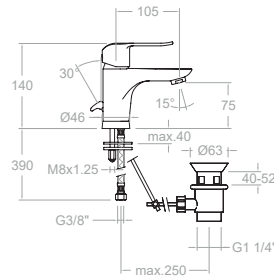




BREH570311

57B307049

New Fly, monomando de bidé.
New Fly, bidet single-lever mixer.



6401

261580

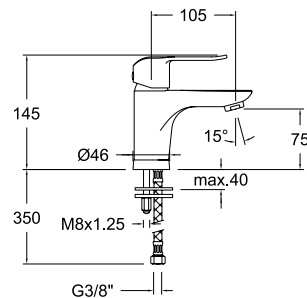
6401VA1169

64A301991

6401VA9065

261626

Ypsilon Plus, monomando de lavabo.
Ypsilon Plus, basin mixer.



6402

257487

Ypsilon Plus, monomando lavabo con sistema C2.
Ypsilon Plus, basin mixer with C2 system.

6402VA1167

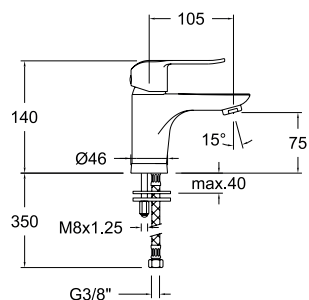
257496

6402VA1169

64A302801

Ypsilon Plus, monomando lavabo con sistema C2 y con válvula automática 11/4" de latón.
Ypsilon Plus, basin mixer with C2 system and automatic 11/4" brass valve.





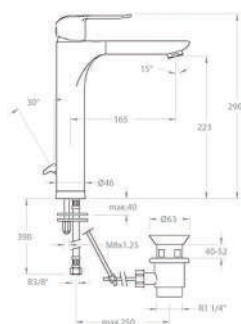
6491
259602

6491VA9065
259620

6491VA1169
64A302803

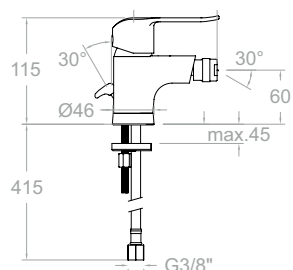
Ypsilon Plus, monomando de lavabo de apertura en frío con válvula automática 1/4 de ABS.

Ypsilon Plus, basin mixer with cold opening and automatic 1/4" ABS valve.



6410
257604

Ypsilon Plus, monomando de lavabo L.
Ypsilon Plus, basin mixer L.



6403
257514

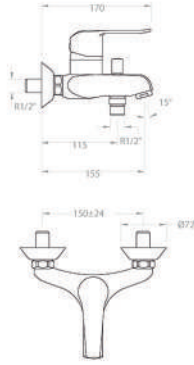
6403VA9065
257523

6403VA1169
64B302802

Ypsilon Plus, monomando de bidé con válvula automática de ABS 1/4.

Ypsilon Plus, bidet mixer with 1/4" ABS automatic valve.





6405S
257541

Ypsilon Plus, monomando de baño-ducha.
Ypsilon Plus, bath-shower mixer.



640511T1
64C308672

640511S+3520T1+3726+1128C

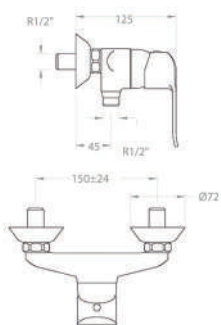
Ypsilon Plus, monomando ducha con equipo de ducha.
Ypsilon Plus, bath and shower mixer with shower set.



640511T3
64C308673

640511S+5840T3+3726+1128C

Ypsilon Plus, monomando ducha con equipo de ducha.
Ypsilon Plus, bath and shower mixer with shower set.



6408S
257577

Ypsilon Plus, monomando de ducha.
Ypsilon Plus, shower mixer.



640811T1

64D308675
640811S+3520T1+3726+1128C

Ypsilon Plus, conjunto monomando de ducha con equipo de ducha.

Ypsilon Plus, shower mixer set with shower kit.

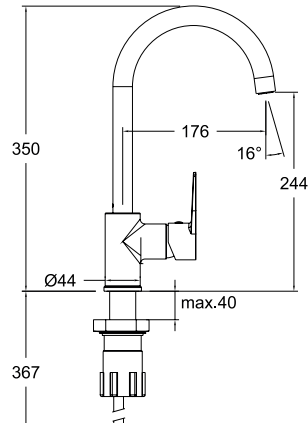


640811T3

64D308676
640811S+5840T3+3726+1128C

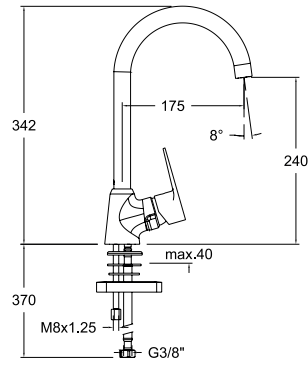
Ypsilon Plus, conjunto monomando de ducha con equipo de ducha.

Ypsilon Plus, shower mixer set with shower kit.



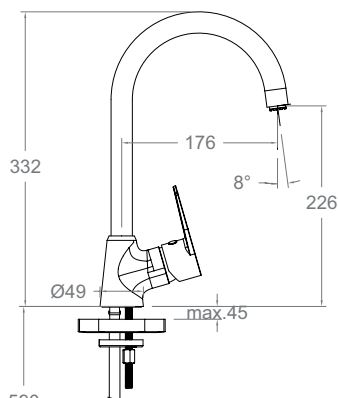
1836
261738

Titanium, monomando de fregadero con caño alto giratorio.
Titanium, sink mixer with high swivel spout.



180602
18E303494

Titanium, monomando de fregadero vertical con caño cisne.
Titanium, vertical sink single-lever mixer with swan-neck spout.

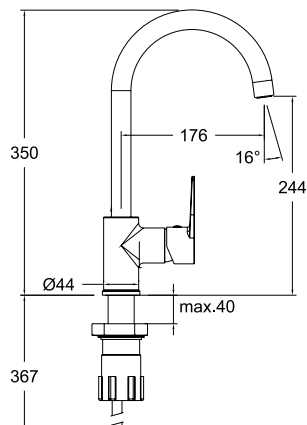


189202
18E303503

Titanium, monomando de fregadero vertical con caño cisne.
Titanium, vertical sink single-lever mixer with swan-neck spout.

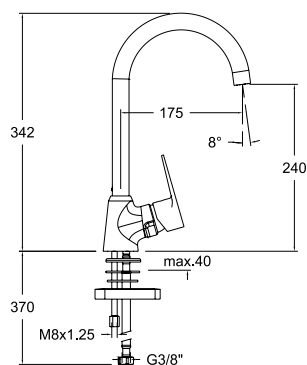


Cartucho Cartridge: 251781



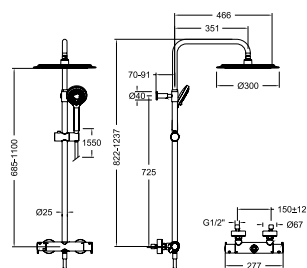
BRE1836
18E305914

Titanium, monomando de fregadero con caño cisne giratorio.
Titanium, single lever sink mixer with swivel swan spout.



BRE180602
18E307072

Titanium, monomando de fregadero con caño cisne giratorio.
Titanium, single lever sink mixer with swivel swan spout.



945412RP300
94D306802

941202S+DNI32D+RP300+2876BT+2478C

945412RP300NM
94D306803

941202SNM+DNI32DNM+RP300NM+2876BTNM+2475CNM

Blautherm, columna de ducha telescópica termostática con rociador de Ø300 mm.
Blautherm, telescopic shower column thermostatic with Ø300 mm shower head.

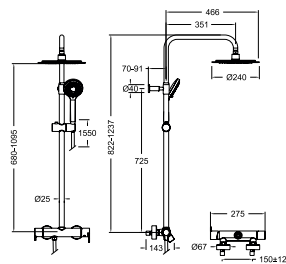


BX945412RP300
94G306801

BX945412RP300NM
94G306804

Blautherm, Box Palet 5 ud columnas de ducha.
Blautherm, Box Pallet 5 pcs shower columns.





937413RP300

94D306809
932803S-DN132D+RP300+2876BT+1128C

937412RP300NM

94D306811
932802SNM-DN132DNM+RP300NM+2876BTNM+2475CNM

937412RP300OC

94D307349
932802SOC-DN132DOC+RP300OC+4914Q3OC+2475COC

Blautherm, columna de ducha telescópica monomando, rociador de Ø300 mm.
Blautherm, telescopic shower column mixer shower head Ø300mm.



BX937413RP300

94G306810

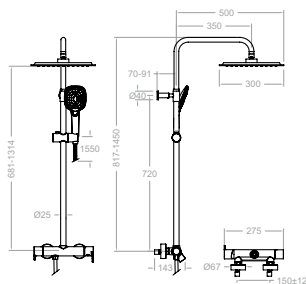
BX937412RP300NM

94G306812

BX937412RP300OC

94G307827

Blautherm, Box Palet 5 ud columnas de ducha.
Blautherm, Box Pallet 5 pcs shower columns.



937413RPK300

94D307351
932802S-DN132D+RPK300+4914Q3+1128C

937412RPK300NM

94D307352
932802SNM-DN132DNM+RPK300NM+4914Q3NM+2475CNM

937412RPK300OC

94D307353
932802SOC-DN132DOC+RPK300OC+4914Q3OC+2475COC

Blautherm, columna de baño- ducha telescópica monomando, rociador de 300 mm.
Blautherm, telescopic bath-shower column mixer shower head 300mm.



BX937413RPK300

94G307828

BX937412RPK300NM

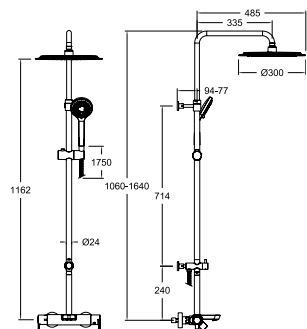
94G307829

BX937412RPK300OC

94G307830

Blautherm, Box Palet 5 ud columnas de ducha.
Blautherm, Box Pallet 5 pcs shower columns.





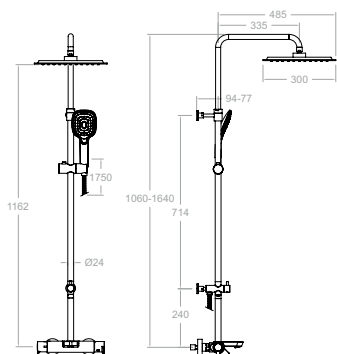
935602RP300

94C303904
9346S+DN130D+T18+IDP16+RP300+2876BT+2471C

935602RP300NM

94C304981
9346SNM+DN130DNM+T18NM+IDP16NM+RP300NM+2876BTNM+2475CNM

Blautherm, columna de baño- ducha telescópica monomando, rociador de Ø300 mm.
Blautherm, telescopic bath-shower column mixer shower head Ø300mm.



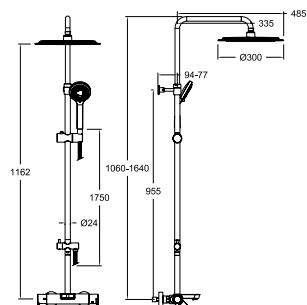
935602RPK300

94C307831
9346S+DN130D+T18+IDP16+RPK300+4914Q3+2471C

935602RPK300NM

94C307833
9346SNM+DN130DNM+T18NM+IDP16NM+RPK300NM+4914Q3NM+2475CNM

Blautherm, columna de baño- ducha telescópica monomando, rociador de 300 mm.
Blautherm, telescopic bath-shower column mixer shower head 300mm.



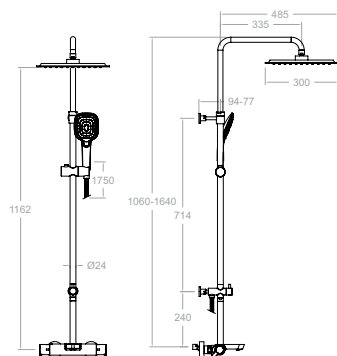
945602RP300

94C303806
9446S+DN130D+T18+IDP16+RP300+2876BT+2471C

945602RP300NM

94C304982
9446SNM+DN130DNM+T18NM+IDP16NM+RP300NM+2876BTNM+2475CNM

Blautherm, columna de baño- ducha telescópica termostática, rociador de Ø300 mm.
Blautherm, telescopic bath-shower column thermostatic, Ø300 mm shower head.



945602RPK300

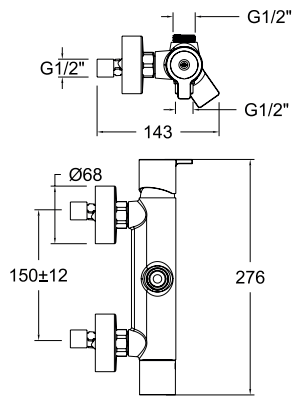
94C307834
9446S+DN130D+T18+IDP16+RPK300+4914Q3+2471C

945602RPK300NM

94C307835
9446SNM+DN130DNM+T18NM+IDP16NM+RPK300NM+4914Q3NM+2475CNM

Blautherm, columna de baño- ducha telescópica termostática, rociador de 300 mm.
Blautherm, telescopic bath-shower column thermostatic, 300 mm shower head.





932802S

94D303651

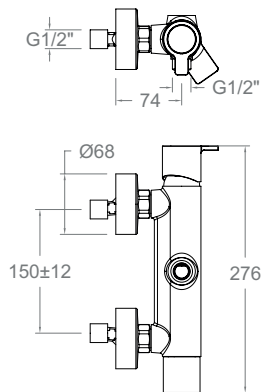
932802SNM

94D303652

932802SOC

94D303902

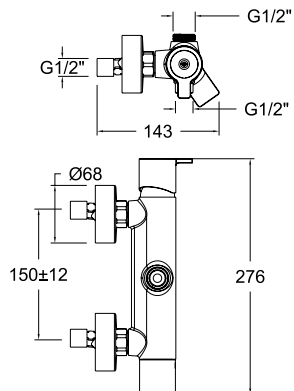
Blautherm, monomando de ducha.
Blautherm, shower mixer.



932803S

94D306820

Blautherm, monomando de ducha.
Blautherm, shower mixer.



BRE932802S

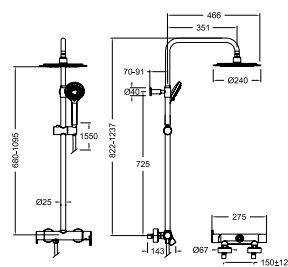
94D305876

BRE932802SNM

94D305877

Blautherm Breeam, monomando de ducha.
Blautherm Breeam, shower mixer.





BRE937413RP300

94D305874

BRE932803S+BREDN132D+RP300+2876BT+1128C

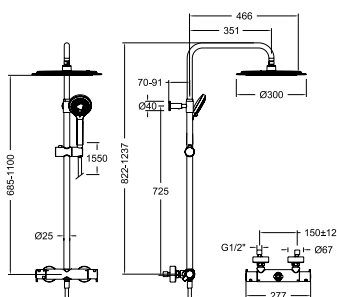
BRE937412RP300NM

94D305875

BRE932802SNM+BREDN132DNM+RP300NM+2876BTNM+2475CNM

Blautherm Breeam, columna de ducha telescópica monomando, rociador de Ø300 mm.

Blautherm Breeam, telescopic shower column mixer shower head Ø300mm.



BRE945412RP300

94D308497

BRE941202S+BREDN132D+RP300+2876BTNM+2478C

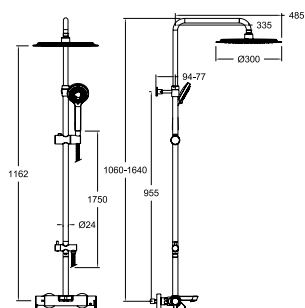
BRE945412RP300NM

94D308496

BRE941202SNM+BREDN132DNM+RP300NM+2876BTNM+2475CNM

Blautherm Breeam, columna de ducha telescópica termostática con rociador de Ø300 mm.

Blautherm Breeam, telescopic shower column thermostatic with Ø300 mm shower head.



BRE945602RP300

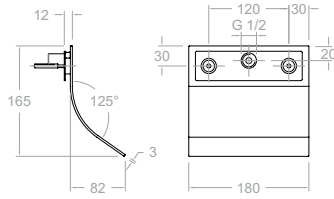
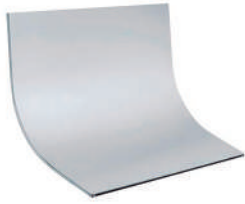
94C307907

BRE9446S+BREDN132D+T18-IDP16+RP300+2876BT+2471C

Blautherm Breeam, columna de baño- ducha telescópica termostática, rociador de Ø300 mm.

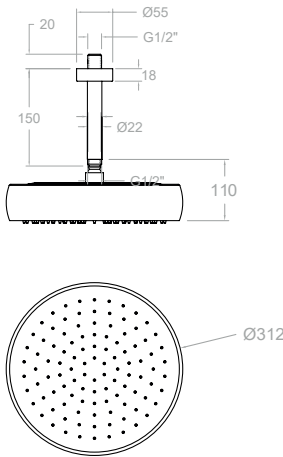
Blautherm Breeam, telescopic bath-shower column thermostatic, Ø300 mm shower head.





169
99Z300699

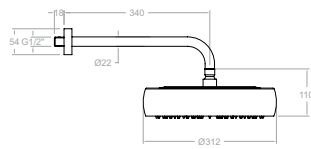
Caño de cascada para lavabo empotrado.
Waterfall wall mounted basin.



BVRMVOL
99H302746
BV15+RMVOL

BVRMVOLNM
99H305054
BV15NM+RMVOLNM

Rociador de techo redondo volumetrico metálico de Ø312mm,
con brazo a techo, de acero inoxidable pulido.
Ceiling mounted shower arm with volumetric round
showerhead.

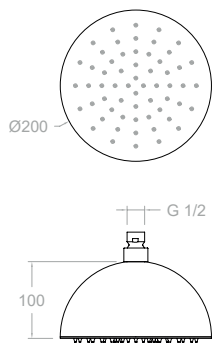


BHRMVOL
99H302745
B350+RMVOL

BHRMVOLNM
99H305286
B350NM+RMVOLNM

Rociador de pared redondo volumetrico de metal de Ø312mm,
con brazo a pared.
Wall mounted shower arm with volumetric round showerhead.





RB200
99Z300704

RB200NM
99Z305083

RB200NC
99Z305082

Rociador Bold de metal Ø200mm, de acero inoxidable pulido
Round showerhead Ø 200 mm

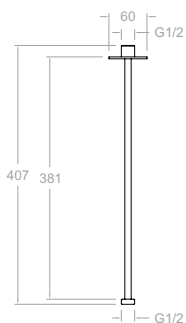


RB300
99Z300705

RB300NM
99Z305086

RB300NC
99Z305085

Rociador Bold de metal de Ø300mm, de acero inoxidable pulido.
Round showerhead Ø 300 mm.

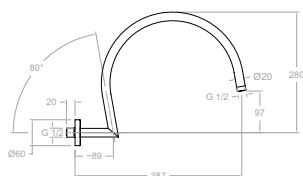


BV400
99Z300752

BV400NM
99Z305076

BV400NC
99Z305075

Brazo cenital de 400 mm.
Ceiling shower arm 400 mm.



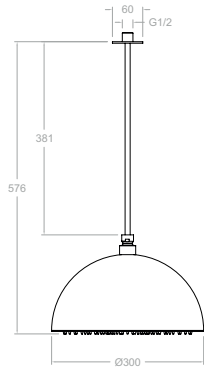
BA390
99Z300750

BA390NM
99Z305070

BA390NC
99Z305069

Brazo de pared de 400 mm.
Wall shower arm 400 mm.





RB3V400

99H300754

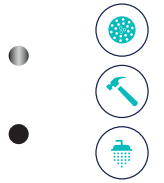
RB3V400NM

99H305067

RB3V400NC

99H305066

Rociador Bold de metal redondo de Ø300mm, con brazo cenital, de acero inoxidable pulido.
Ceiling shower arm with head shower Ø 300 mm.



RB2V400

99H300753

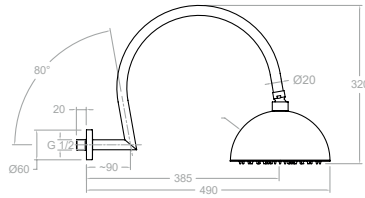
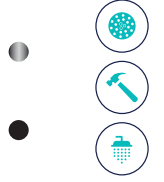
RB2V400NM

99H305060

RB2V400NC

99H305059

Rociador Bold de metal redondo de Ø200mm, con brazo cenital, de acero inoxidable pulido.
Ceiling shower arm with head shower Ø 200 mm.



RB2A390

99H300748

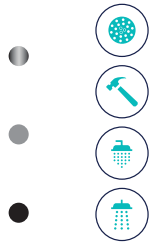
RB2A390NC

99H305056

RB2A390NM

99H305057

Rociador Bold de metal redondo de Ø200mm, con brazo mural, de acero inoxidable pulido.
Wall shower arm with head shower Ø 200 mm.



RB3A390

99H300749

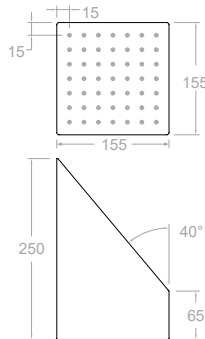
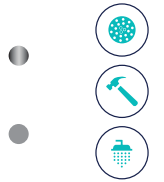
RB3A390NC

99H305063

RB3A390NM

99H305064

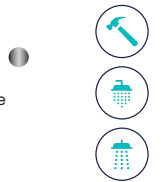
Rociador Bold de metal redondo de Ø300mm, con brazo mural, de acero inoxidable pulido.
Wall shower arm with head shower Ø 300 mm.

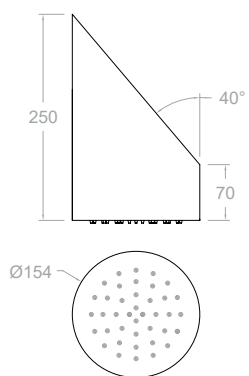


RIK

99Z300703

Rociador de pared de metal, cuadrado, de acero inoxidable pulido.
Lateral Spray shower.





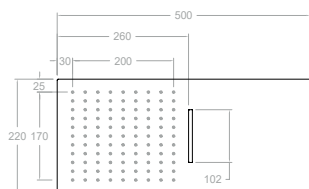
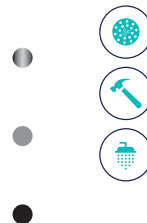
RIR
99Z300702

RIRNC
99Z305094

RIRNM
99Z305095

Rociador de pared de metal redondo, de acero inoxidable pulido.

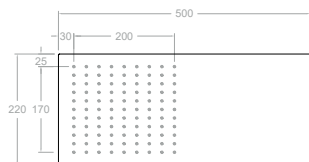
Lateral Spray shower.



RCRK
99Z300708

Rociador de pared rectangular de metal extraplano 2mm, con salida lluvia y cascada, de acero inoxidable pulido.

Wall mounted rainshower and waterfall effect showerhead.

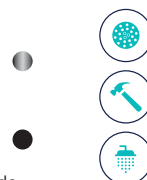


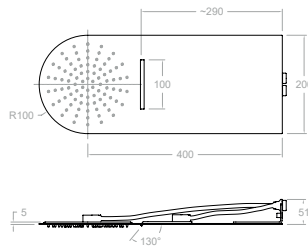
RRK
99Z300709

RRKNM
99Z305100

Rociador de pared rectangular de metal extraplano 2mm, de acero inoxidable pulido.

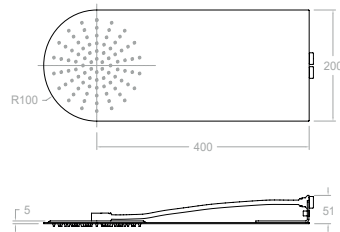
Wall mounted rainshower and effect showerhead.





RCR
99Z300710

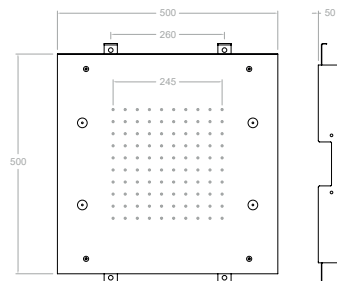
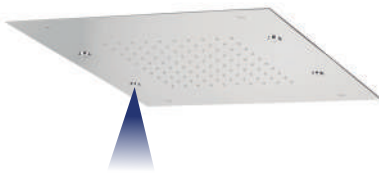
Rociador de pared semicircular de metal extraplano 2mm, con salida lluvia y cascada, de acero inoxidable pulido.
Wall mounted rainshower and waterfall effect showerhead.



RR
99Z300711

RRNM
99Z305103

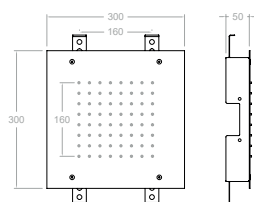
Rociador de pared semicircular de metal extraplano 2mm, de acero inoxidable pulido.
Wall mounted rainshower and effect showerhead.



RELNK500
99Z300715

Rociador de metal, cuadrado XL de 500mm, con 2 salidas de agua, de acero inoxidable pulido.
Concealed square showerhead 500 mm. with rainshower and mist effect.





REK300

99Z300712

Rociador de metal, cuadrado de 300mm, de acero inoxidable pulido.

Concealed round showerhead Ø 300 mm.



REK430

99Z300713

Rociador de metal, cuadrado de 430mm, de acero inoxidable pulido.

Concealed round showerhead Ø 430 mm.

REK500

99Z300714

REK500NM

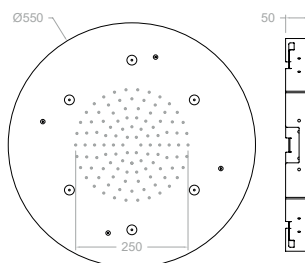
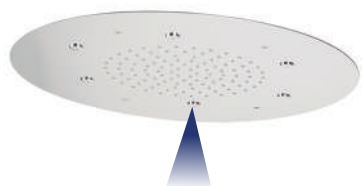
99Z302132

REK500NC

99Z305092

Rociador de metal, cuadrado XL de 500mm, de acero inoxidable pulido.

Concealed round showerhead Ø 500 mm.

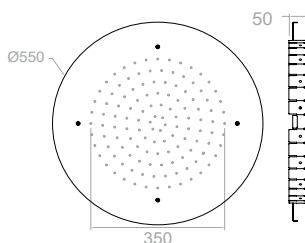


RELN550

99Z300722

Rociador de metal, circular XL de Ø550mm, con 2 salidas de agua, de acero inoxidable pulido.

Concealed round showerhead with rainshower and mist effect. Ø 550 mm.



RE550

99Z300721

RE550NC

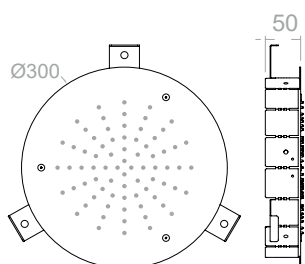
99Z305088

RE550NM

99Z305090

Rociador de metal, circular XL de Ø550mm, de acero inoxidable pulido.

Concealed round showerhead Ø 550 mm.



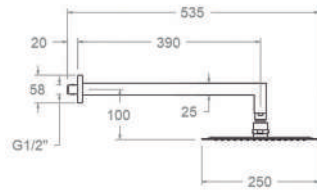
RE300

99Z300720

Rociador de metal, circular de Ø300mm, de acero inoxidable pulido.

Concealed round showerhead Ø 300 mm.





BHRK250

256299
BK350+RK250

BHRK250NM

99H305243
BK350NM+RK250NM

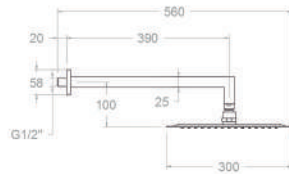
BHRK250NC

99H305242
BK350NC+RK250NC

BHRK250OC

99H305244
BK350OC+RK250OC

Rociador de ducha de metal extraplano, cuadrado de 250mm a pared.
Wall mounted bracket for showerhead Ø 250.



BHRK300

233511
BK350+RK300N

BHRK300NM

99H305245
BK350NM+RK300NM

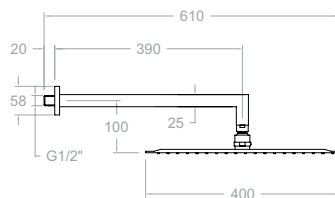
BHRK300NC

99H305246
BK350NC+RK300NC

BHRK300OC

99H305247
BK350OC+RK300OC

Conjunto de brazo de pared con rociador cuadrado de 300 x 300mm.
Wall mounted bracket for showerhead Ø 250.



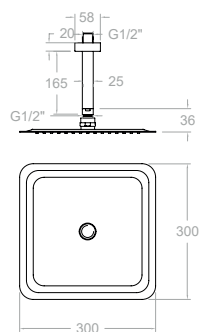
BHRK400

233520
BK350+RK400

Rociador de ducha de metal XXL extraplano, cuadrado de 400mm a pared.

Wall mounted bracket for showerhead Ø 400.





BVKRK250

99H305384

BVK15+RK250



BVKRK250NM

99H305279

BVK15NM+RK250NM



BVKRK250NC

99H305277

BVK15NC+RK250NC



BVKRK250OC

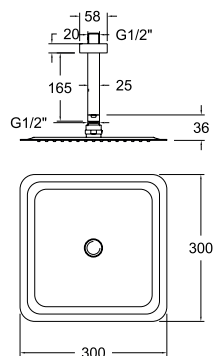
99H305280

BVK15OC+RK250OC



Rociador de ducha de metal extraplano, cuadrado de 250mm a techo.

Extra-flat metal shower head, 250mm square to ceiling.



BVKRK300

99H305385

BVK15+RK300N



BVKRK300NM

99H305282

BVK15NM+RK300NM



BVKRK300NC

99H305281

BVK15NC+RK300NC



BVKRK300OC

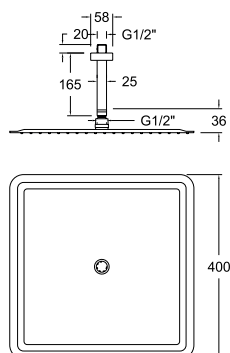
99H305283

BVK15OC+RK300OC



Rociador de ducha de metal extraplano, cuadrado de 300mm a techo.

Extra-flat metal shower head, square 300mm to ceiling.



BVKRK400

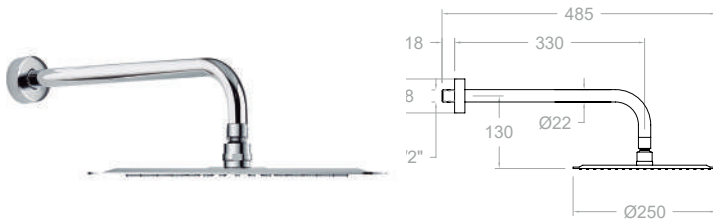
99H305387

BVK15+RK400



Rociador de ducha de metal extraplano, cuadrado de 400mm a techo.

Extra-flat metal shower head, 400mm square to ceiling.



BHRM250

256245
B350+RM250

BHRM250NM

99D302884
B350NM+RM250NM

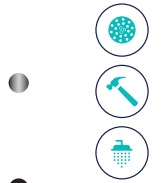
BHRM250NC

99D302886
B350NC+RM250NC

BHRM250OC

99D302885
B350OC+RM250OC

Rociador de ducha de metal extraplano Ø250mm a pared.
Wall mounted bracket for showerhead Ø 250.



BHRM300

256227
B350+RM300

BHRM300NM

99H305257
B350NM+RM300NM

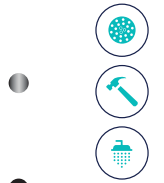
BHRM300NC

99H305256
B350NC+RM300NC

BHRM300OC

99H305255
B350OC+RM300OC

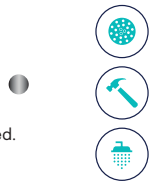
Rociador de ducha de metal XL extraplano Ø300mm a pared.
Wall mounted bracket for showerhead Ø 300.

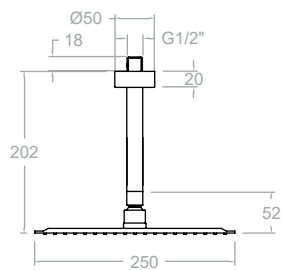


BHRM400

256254
B350+RM400

Rociador de ducha de metal XXL extraplano Ø400mm a pared.
Wall mounted bracket for showerhead Ø 400





BVRM250

256200
BV15+RM250

BVRM250NM

99H305248
BV15NM+RM250NM

BVRM250NC

99H305249
BV15NC+RM250NC

BVRM250OC

99H305250
BV15OC+RM250OC



Rociador de ducha de metal extraplano Ø250mm a techo.
Ceiling mounted bracket for showerhead Ø 250

BVRM300

256236
BV15+RM300

BVRM300NM

99H305252
BV15NM+RM300NM

BVRM300NC

99H305254
BV15NC+RM300NC

BVRM300OC

99H305253
BV15OC+RM300OC



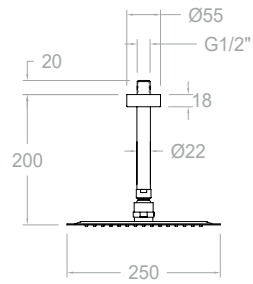
Rociador de ducha de metal XL extraplano Ø300mm a techo.
Ceiling mounted bracket for showerhead Ø 300

BVRM400

256218
BV15+RM400

Rociador de ducha de metal XXL extraplano Ø400mm a techo.
Ceiling mounted bracket for showerhead Ø 400





BVRK250

256308

BV15+RK250

Rociador de ducha de metal extraplano, cuadrado de 250mm a techo.

Ceiling mounted bracket for showerhead Ø 250.



BVRK300

233547

BV15+RK300N

Rociador de ducha de metal XL extraplano, cuadrado de 300mm a techo.

Ceiling mounted bracket for showerhead Ø 300

BVRK400

233556

BV15+RK400

Rociador de ducha de metal XXL extraplano, cuadrado de 400mm a techo.

Ceiling mounted bracket for showerhead Ø 400

BNRPK225

99H301708

B350+RPK225

Rociador de ducha extraplano, cuadrado de 225mm a pared.

Headshower squared 225mm with wall arm.



BHRPK225

256281

BK350+RPK225

BHRPK225NM

99H305364

BK350NM+RPK225NM

Rociador de ducha extraplano, cuadrado de 225mm a pared.

Wall mounted bracket for showerhead Ø 225



BVRPK225

256290

BV15+RPK225

BVRPK225NM

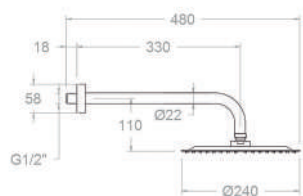
99H305365

BV15NM+RPK225NM

Rociador de ducha extraplano, cuadrado de 225mm a techo.

Ceiling mounted bracket for showerhead Ø 225





BHRP240

256263
B350+RP240

BHRP240NM

99Z303681
B350NM+RP240NM

Rociador de ducha extraplano Ø240mm a pared.
Wall mounted bracket for showerhead Ø240



BVRP240

256272
BV15+RP240

Conjunto de brazo de techo con rociador redondo de Ø240mm.
Set of ceiling arm with round Ø240mm showerhead.



BHRG200

196998
B350+RG200

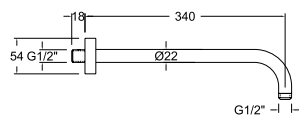
Rociador de ducha de metal de Ø205mm a pared.
Wall mounted bracket for showerhead Ø205



BVRG200

201408
BV15+RG200

Rociador de ducha metálico de Ø205mm a techo.
Ceiling mounted bracket for showerhead Ø205



B350

197007

B350NM

99Z302140

B350NC

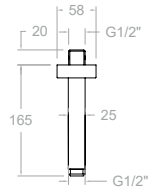
99Z302339

B350OC

99Z302340

Brazo de pared de 350 mm.
Wall shower arm 350 mm.





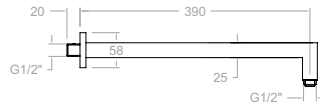
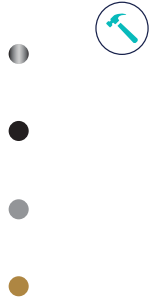
BV15
201255

BV15NM
99Z302139

BV15NC
99Z304435

BV15OC
99Z304434

Brazo de ducha para techo de 150 mm.
Ceiling shower arm 150 mm.



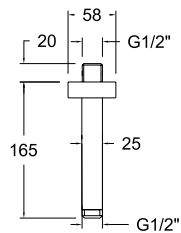
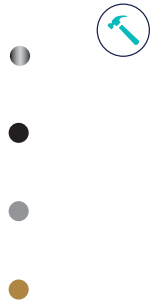
BK350
212163

BK350NM
99Z305073

BK350NC
99Z305072

BK350OC
99Z305074

Brazo de pared de 400 mm.
Wall shower arm 400 mm.



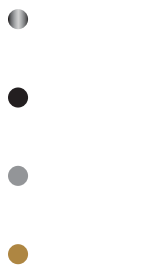
BVK15
99Z305078

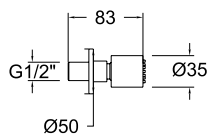
BVK15NM
99Z305080

BVK15NC
99Z305079

BVK15OC
99Z305081

Brazo de ducha para techo cuadrado de 165 mm.
Square ceiling shower arm 150 mm.





4772
99Z305369

Ducha lateral cuadrada.
Square side jet.



9872
99Z305370

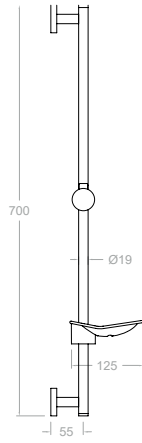
Ducha lateral cilíndrica.
Round side jet.



4748
227607

Soporte fijo de pared cuadrado para ducha.
Shower support for floor columns.





377302S

99Z301883

Barra de ducha sin accesorios.
Metallic slide bar.



377302MO

99H301886

377302 S+3713 M+2471C

Barra de ducha con accesorios MO.
Shower bar with accessories MO.



377302AS

99H301884

377302 S+5811 AS+2471C

Barra de ducha con accesorios AS.
Shower bar with accessories AS.



377302T1

99H304944

377302S+3520T1+2471C

Barra de ducha con accesorios T1.
Shower bar with accessories T1.



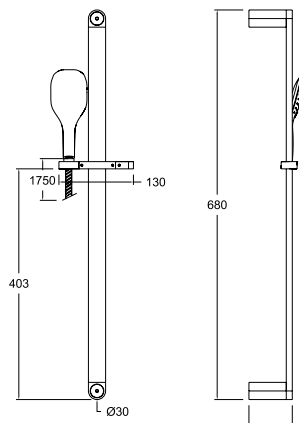
377302T3

99H301887

377302 S+5840 T3+2471C

Barra de ducha con accesorios T3.
Shower bar with accessories T3.



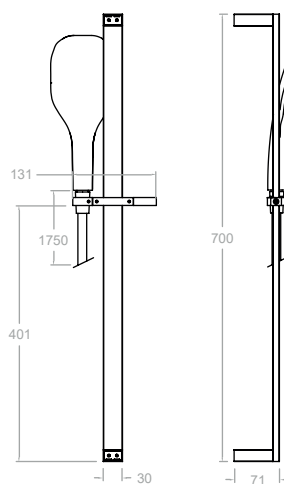


776001K3

99H302634

776001S+4913K3+2472C

Barra de ducha semi redonda con accesorios.
Semi round shower bar with accessories.

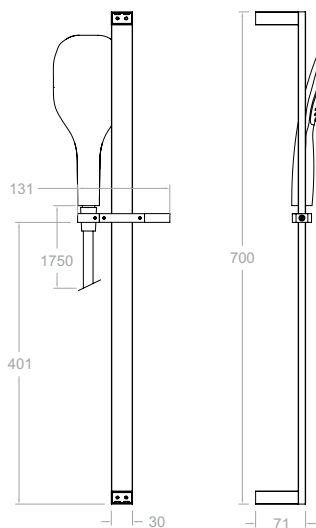


477302K3

99H302611

477302S+4913K3+2471C

Barra de ducha cuadrada con accesorios.
Square shower bar with accessories.



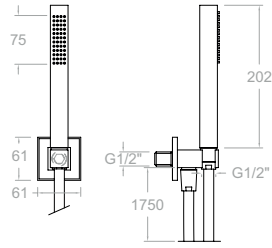
477302K1

99H302610

477302S+4912K1+2471C

Barra de ducha cuadrada con accesorios.
Square shower bar with accessories.





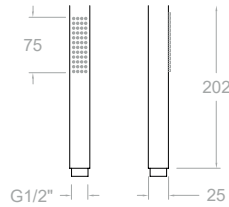
4792MK

99H301350

4713MK+4796+2471C

Conjunto de ducha con ducha de mano, flexible para ducha, y soporte de pared.

Shower set with handshower, flexible connection and wall bracket.



4713MK

255588

4714KNM

99Z302150

Ducha de mano rectangular con 1 función de metal
1 function handshower brass.

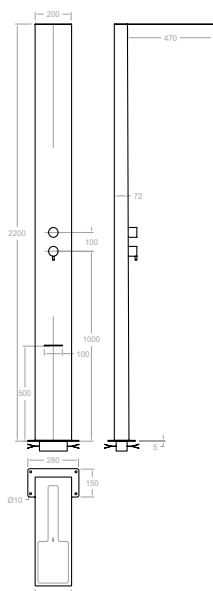


4713P

255579

Ducha de mano rectangular con 1 función.
1 function handshower ABS.

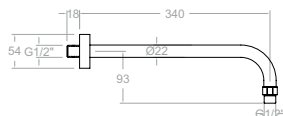




COLEX01

99Z302628

Columna de ducha exterior para piscina.
Shower column for swimming pool.



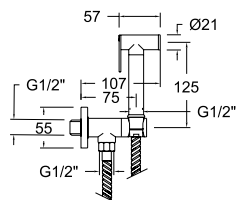
BREB350

99Z306738

BREB350NM

99Z306742

Brazo de pared de 350 mm.
Wall shower arm 350 mm.



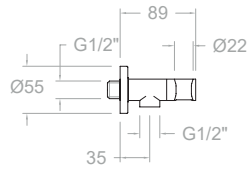
114602

99F301568

3798-9552-247903C

Conjunto de duchita para WC, de una agua con llave de paso automática.
Shower set for WC, single water with automatic stopcock.





3798
239559

Llave de paso de 1/2" con cierre automático.
1/2" angle valve with automatic stop.



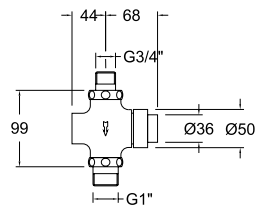
9343S
93F301583
XX43-9400-35

Conjunto de WC para duchita y cisterna de WC.
WC set for shattaf and WC tank.



2479C
300198

Flexible de alta presión para Wc 1,2 m.
High pressure flexible hose for shattaf 1,2 m.



745702
74F301473

Solestop, WC empotrado de un agua o premezclado.
Solestop, single flush or pre-mixed WC.





934403WC

93F305175

9343S+9559+354802+247902C

Monomando mural para WC con ducha de metal.
Single lever mixer 110 mm with shattaf set.

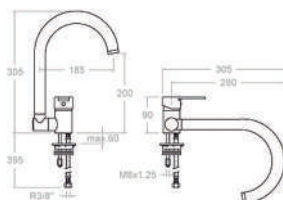


934302WC

93F301343

9343S+3799+247902C

Monomando mural para WC con accesorios de ABS.
Single lever wall mounted WC mixer with ABS accessories.

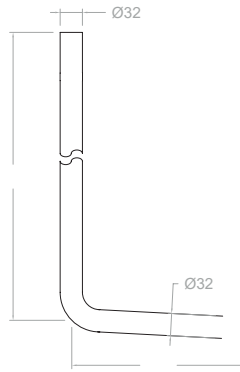


9369

227346

RS-Q, monomando de fregadero con caño abatible.
Sink mixer with swivel and folding spout.





746901

74F306321

745602+T766+705

Conjunto de wc 745602- T76602- 705.

WC 745602+T76602+705.

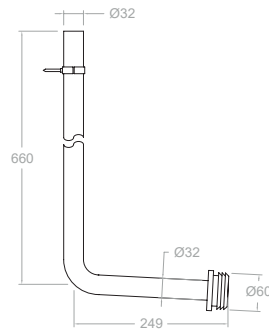


T76602

74Z306320

Cromo tubo ø32 500x150 para ref. 745602.

WC connection tube ø32 500x150 for ref. 745602.

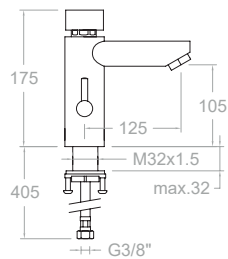


7466

212622

Solestop, tubo conexión a WC.

WC connection tube of Ø 32 mm.



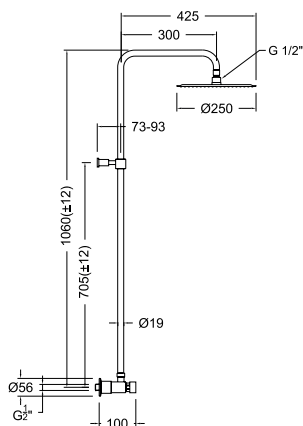
7490

239595

Lavabo temporizado mezclador (fría y caliente).

Self closing wash basin mixer (cold and hot).





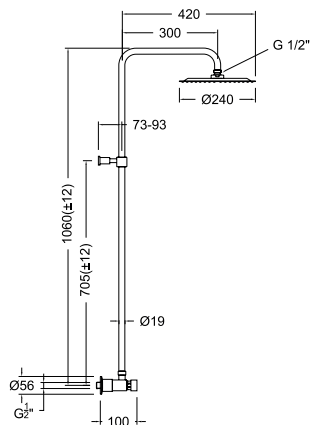
745403RM250

74D303890

745303+T100N+RM250+RGD

Solestop, gran ducha para exterior temporizada rociador Ø250 de acero inoxidable.

Solestop, selfclosing shower column with metal Ø250 headshower.



745403RP240

74D303891

745303+T100N+RP240+RGD

Solestop, gran ducha para exterior temporizada rociador Ø240 ABS.

Solestop, selfclosing shower column with ABS Ø240 headshower.

